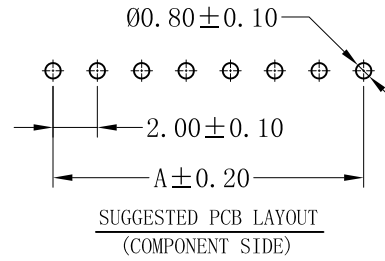
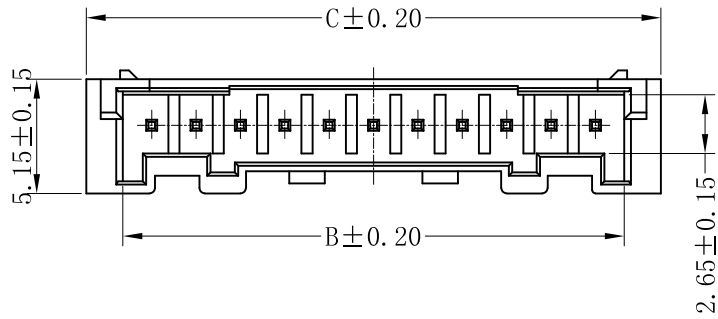


RoHS Compliant



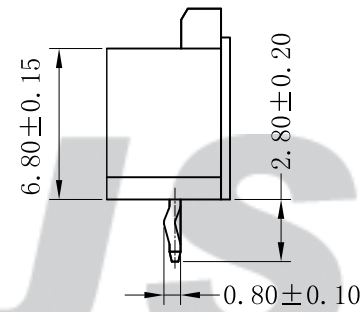
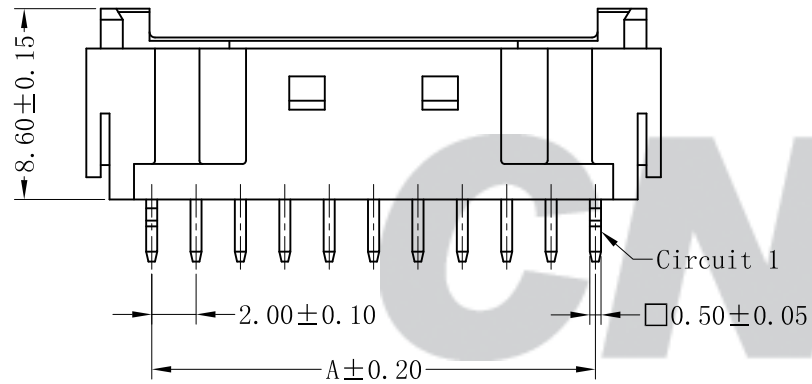
SPECIFICATION

- 1 Contact resistance: $\leq 10m\Omega$
- 2 Insulation resistance: $\geq 1000M\Omega$
- 3 Rated voltage: 250 V AC DC
- 4 Rated current: 3.0 A AC DC
- 5 Withstand Voltage: 800V AC/minute
- 6 Temperature Range: $-25^{\circ}C \sim +85^{\circ}C$

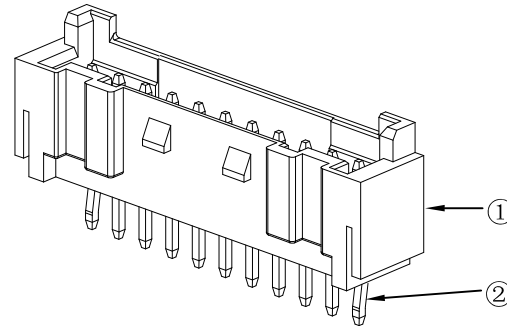
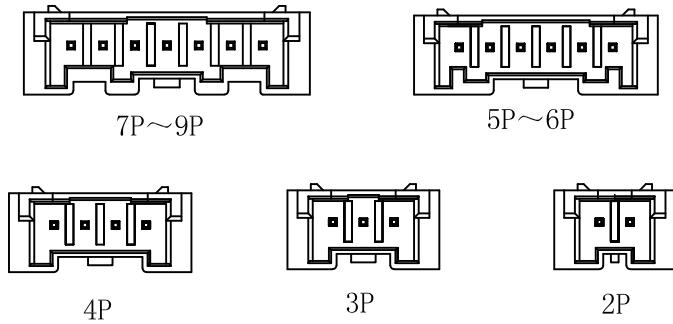
ORDER INFORMATION:

A2006A--A1MA-P-D**

PART No.				
No. OF CIRCUITS:			PACKAGING:	
02~15			P=PE	
PLASTIC MATERIAL:			PLATING:	
A1M=PA66			A=Tin-plated	



Circuits	Dimensions (mm)		
	A	B	C
02	2.00	4.60	7.90
03	4.00	6.60	9.90
04	6.00	8.60	11.90
05	8.00	10.60	13.90
06	10.00	12.60	15.90
07	12.00	14.60	17.90
08	14.00	16.60	19.90
09	16.00	18.60	21.90
10	18.00	20.60	23.90
11	20.00	22.60	25.90
12	22.00	24.60	27.90
13	24.00	26.60	29.90
14	26.00	28.60	31.90
15	28.00	30.60	33.90



专利产品

Tolerance X.X ±0.30 X.XX ±0.20 X.XXX ±0.10 Angle ±3.0°	CNJST 捷仕泰企业		Drawn: 王程伟 2022.07.20
	Model No.: A2006A-**-A1MA-P-D		Checked: 吴丹平
	Model Name: 2.00mm PITCH 180° WAFER		Approved: 林旭芝
	UNIT: mm	SCALE: FULL	REVISION: C/0
		DWG NO. CNJST/GCCP-0068	

REV.	DATE	DESCRIPTION	APPD.	NO.	DESCRIPTION	QTY	MATERIAL	PLATING/COLOR
C/0	2022.07.20	统一标准, 更新图框	王程伟	②	Contacts	2~15	Brass	Tin-plated
B/0	2018.01.03	NEW RELEASE		①	Insulator	1	PA66 (UL94V-0)	Nature