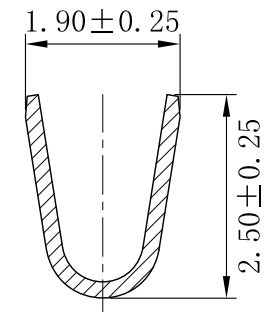
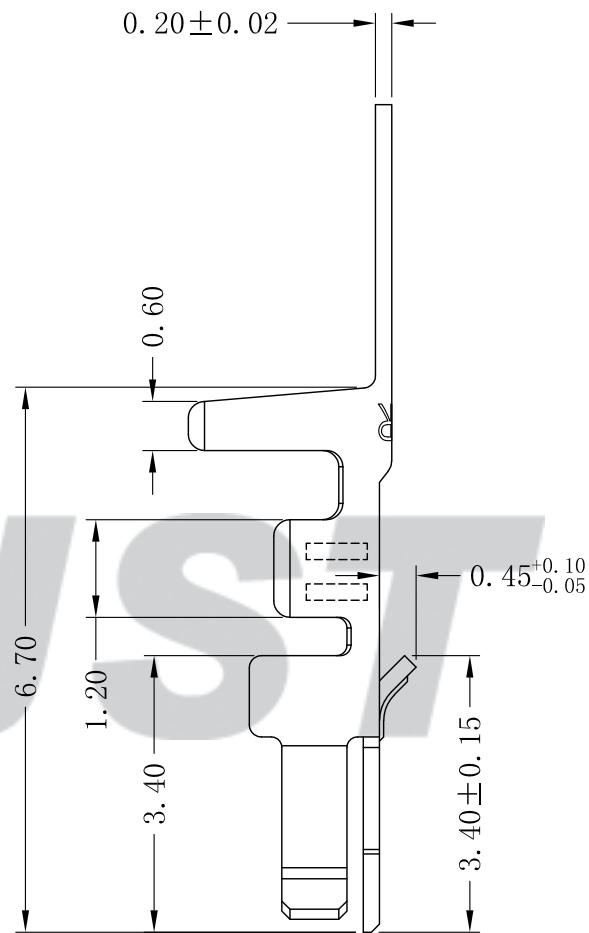
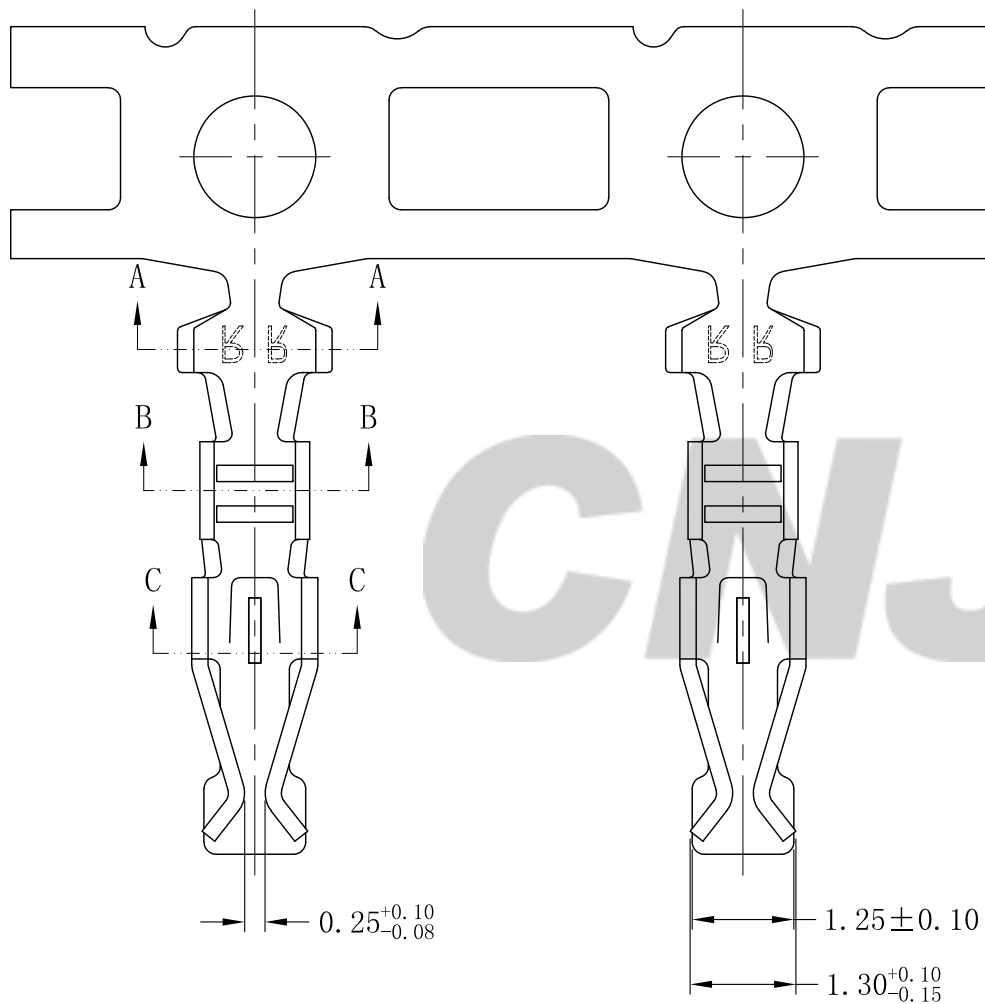
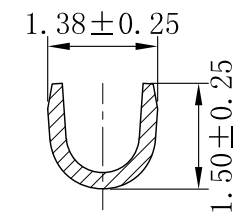


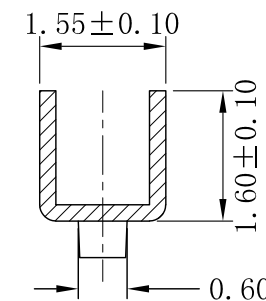
RoHS Compliant



SECTION A-A



SECTION B-B



SECTION C-C

专利产品

REV.	DATE	DESCRIPTION	APPD.	Wire Range	Insulation O.D.	QTY/Reel	Material	Plating
C/0	2022.07.19	更新图框	王程伟					
B/1	2019.06.01	NEW RELEASE		AWG #22~#28	1.60mm (Max)	10,000PCS	Phosphor Bronze	Tin-plated

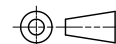
Tolerance	
X.X	± 0.30
X.XX	± 0.20
X.XXX	± 0.10
Angle	$\pm 3.0^\circ$

CNJST 捷仕泰企业

Model No.: A2002T-PA-Z

Model Name: 2.00mm PITCH CRIMP TERMINAL

UNIT: mm



SCALE: FULL

REVISION: C/0

Drawn: 王程伟 2022.07.19

Checked: 吴丹平

Approved: 林旭芝

DWG NO. CNJST/GCDZ-0007