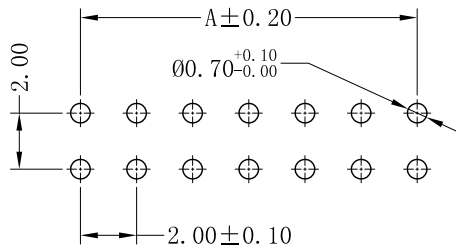
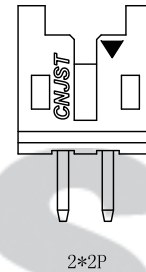
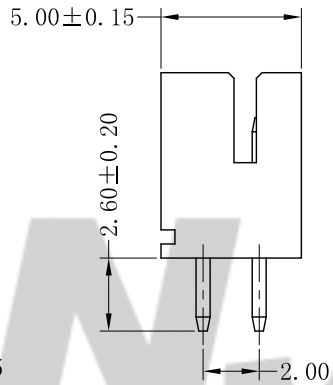
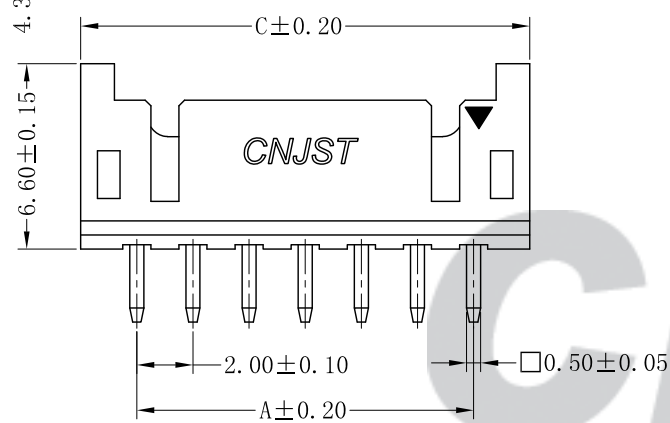
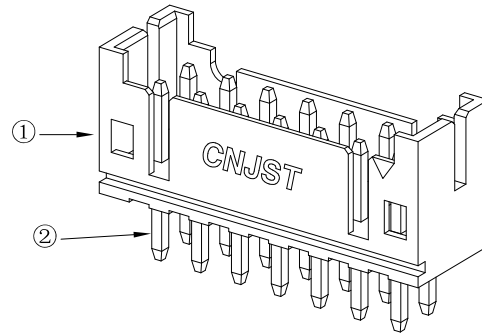
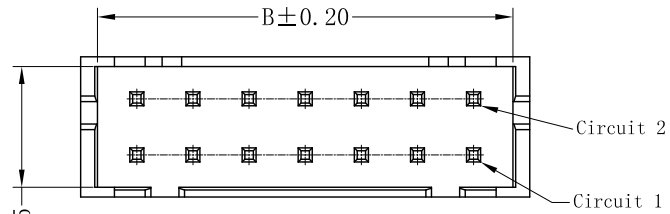
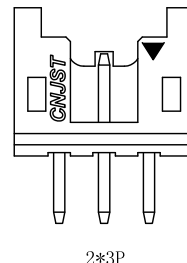
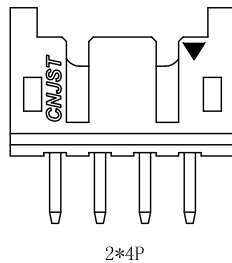


RoHS Compliant



SUGGESTED PCB LAYOUT
(COMPONENT SIDE)



SPECIFICATION

- 1 Contact resistance: $\leq 10m\Omega$
- 2 Insulation resistance: $\geq 1000M\Omega$
- 3 Rated voltage: 250 V AC DC
- 4 Rated current: 2.0 A AC DC
- 5 Withstand Voltage: 800V AC/minute
- 6 Temperature Range: $-25^{\circ}C \sim +85^{\circ}C$

ORDER INFORMATION:

A2002A-*-A1MA-B-D**

PART No.				
No. OF CIRCUITS:	2X2~2X20			PACKAGING: B=TRAY
PLASTIC MATERIAL:	A1M=PA66			PLATING: A=Tin-plated

Circuits	Dimensions (mm)		
	A	B	C
202 (2X2)	2.00	4.70	5.90
203 (2X3)	4.00	6.70	7.90
204 (2X4)	6.00	8.70	9.90
205 (2X5)	8.00	10.70	11.90
206 (2X6)	10.00	12.70	13.90
207 (2X7)	12.00	14.70	15.90
208 (2X8)	14.00	16.70	17.90
209 (2X9)	16.00	18.70	19.90
210 (2X10)	18.00	20.70	21.90
211 (2X11)	20.00	22.70	23.90
212 (2X12)	22.00	24.70	25.90
213 (2X13)	24.00	26.70	27.90
214 (2X14)	26.00	28.70	29.90
215 (2X15)	28.00	30.70	31.90
216 (2X16)	30.00	32.70	33.90
217 (2X17)	32.00	34.70	35.90
218 (2X18)	34.00	36.70	37.90
219 (2X19)	36.00	38.70	39.90
220 (2X20)	38.00	40.70	41.90

专利产品

Tolerance X.X ±0.30 X.XX ±0.20 X.XXX ±0.10 Angle ±3.0°	CNJST 捷仕泰企业		Drawn: 王程伟 2022.07.19
	Model No. : A2002A-***-A1MA-B-D (UL P/N: PHD-nA)		Checked: 吴丹平
	Model Name: 2.00mm PITCH 180° WAFER		Approved: 林旭芝
	UNIT: mm		SCALE: FULL REVISION: C/0

REV.	DATE	DESCRIPTION	APPD.	NO.	DESCRIPTION	QTY	MATERIAL	PLATING/COLOR
C/0	2022.07.19	统一标准, 更新图框	王程伟	②	Contacts	4~40	Brass	Tin-plated
B/0	2019.07.27	NEW RELEASE		①	Insulator	1	PA66 (UL94V-0)	Nature

DWG NO. CNJST/GCCP-0052