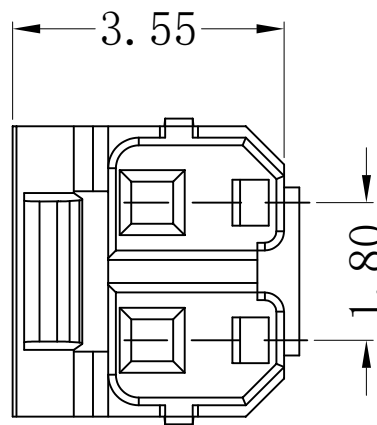
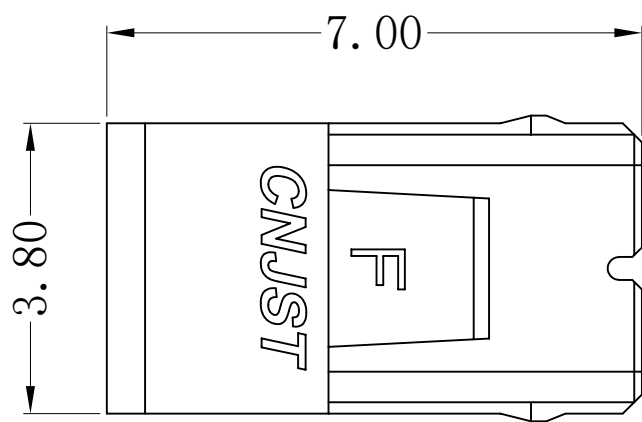


RoHS Compliant

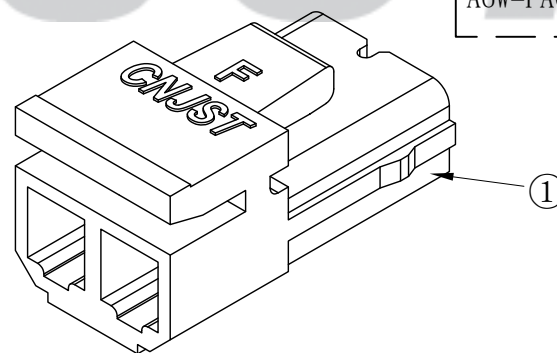
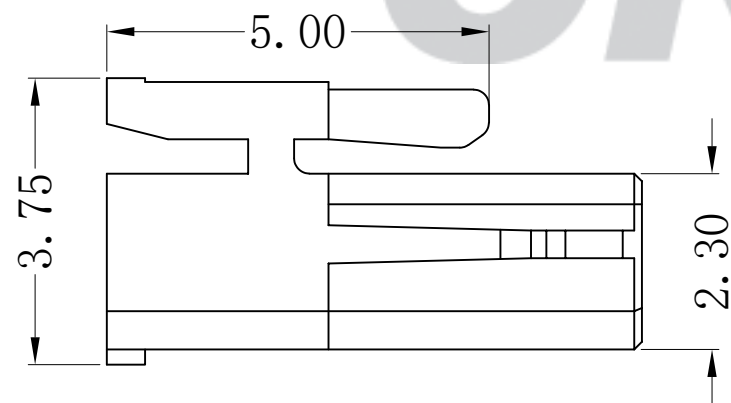


SPECIFICATION

- 1 Contact resistance: $\leq 10m\Omega$
- 2 Insulation resistance: $\geq 1000M\Omega$
- 3 Rated voltage: 350 V AC DC
- 4 Rated current: 3.0 A AC DC
- 5 Withstand Voltage: 1700V AC/minute
- 6 Temperature Range: $-25^{\circ}C \sim +85^{\circ}C$

ORDER INFORMATION:

A1804YR-02-A6W-P		
PART No.		PACKAGING: P=PE
No. OF CIRCUITS:		
02		
PLASTIC MATERIAL:		
A6W=PA66(White)		



专利产品

Tolerance X.X ±0.30 X.XX ±0.20 X.XXX ±0.10 Angle ±3.0°	CNJST 捷仕泰企业		Drawn: 黄美程 2022.07.20
	Model No.: A1804YR-02-A6W-P		Checked: 吴丹平
UNIT: mm	Model Name: 1.80mm pitch Housing		Approved: 林旭芝
		SCALE: FULL	REVISION: C/0
			DWG NO. CNJST/GCCP-0522

REV.	DATE	DESCRIPTION	APPD.	NO.	DESCRIPTION	QTY	MATERIAL	PLATING/COLOR
C/0	2022.07.20	统一标准 更新模版	黄美程					
B/0	2020.08.22	NEW RELEASE	黄美程	①	Insulator	1	PA66(UL94V-0)	White