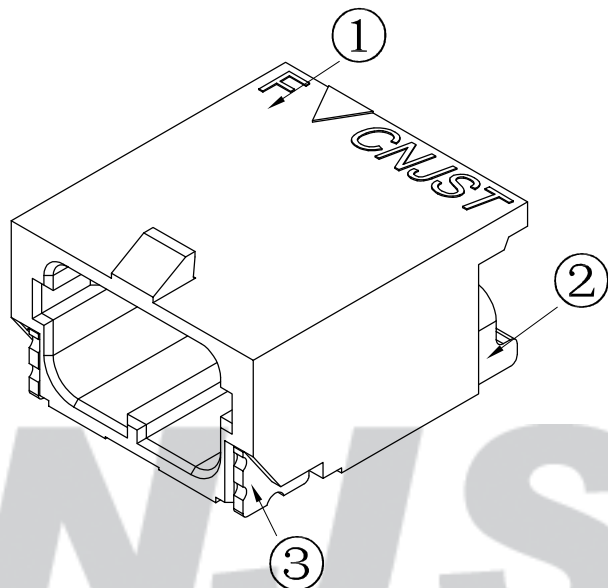
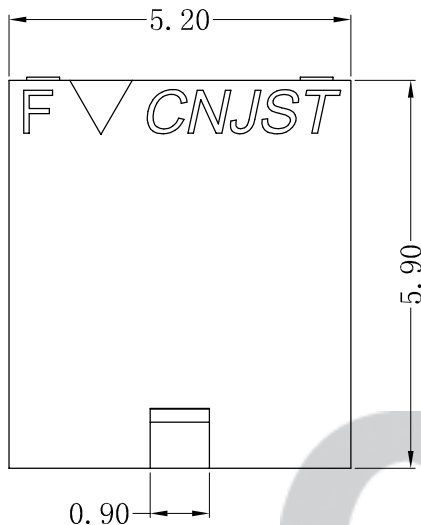


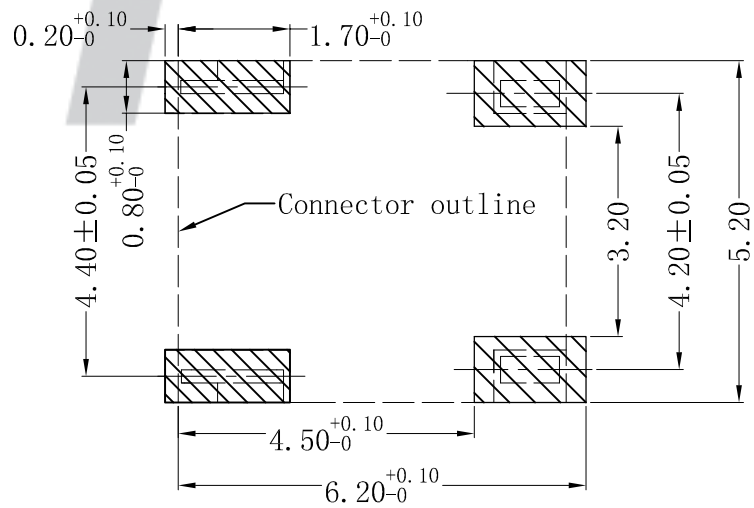
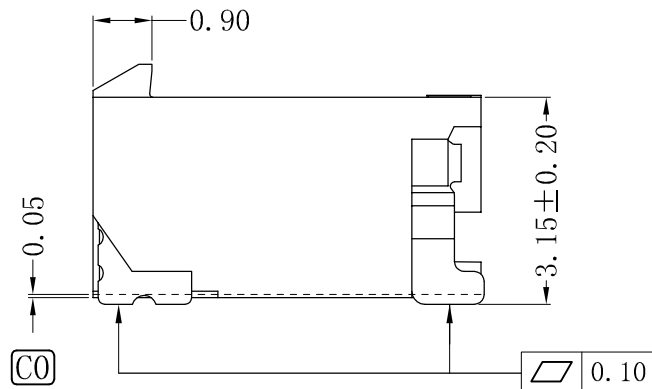
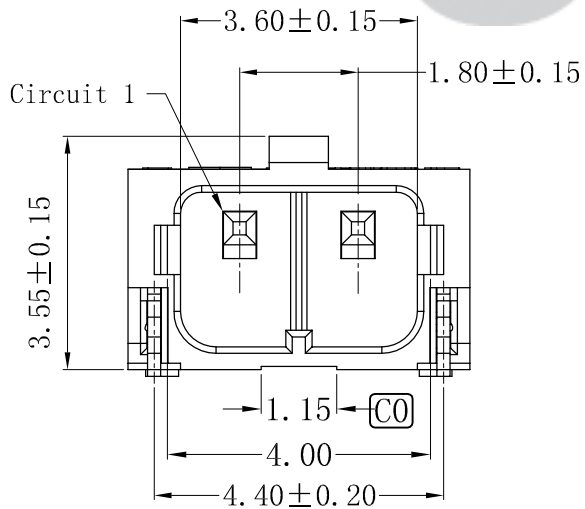
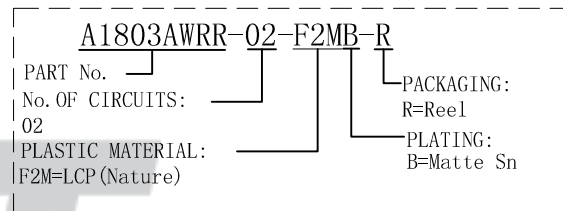
RoHS Compliant



SPECIFICATION

- 1 Contact resistance: $\leq 10m\Omega$
- 2 Insulation resistance: $\geq 1000M\Omega$
- 3 Rated voltage: 350 V AC DC
- 4 Rated current: 3.0 A AC DC
- 5 Withstand Voltage: 1700V AC/minute
- 6 Temperature Range: $-25^{\circ}C \sim +85^{\circ}C$

ORDER INFORMATION:



SUGGESTED PCB LAYOUT (COMPONENT SIDE)

专利产品

C/O	2022.07.12	更新模板 塑件增加沉台 (详见ECR2022012)	李浩然
B/O	2022.04.03	NEW RELEASE	王程伟
REV.	DATE	DESCRIPTION	APPD.

NO.	DESCRIPTION	QTY	MATERIAL	PLATING/COLOR
③	Solder Tab	2	Phosphor Bronze	Matte Sn
②	Contacts	2	Phosphor Bronze	Matte Sn
①	Insulator	1	LCP (UL94V-0)	Nature

Tolerance	X.X ±0.30
	X.XX ±0.20
	X.XXX ±0.10
Angle	±3.0°
UNIT:	mm

CNJST 捷仕泰企业	
Model No.: A1803AWRR-02-F2MB-R	
Model Name: 1.80mm pitch 90° WAFER-SMT TYPE	
	SCALE: FULL
	REVISION: C/0

Drawn: 李浩然 2022.7.12
Checked: 吴丹平
Approved: 林旭芝
DWG NO. CNJST/GCCP-0493