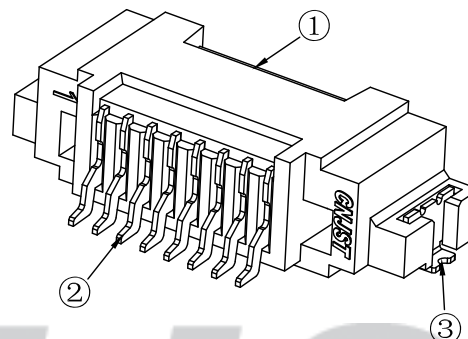
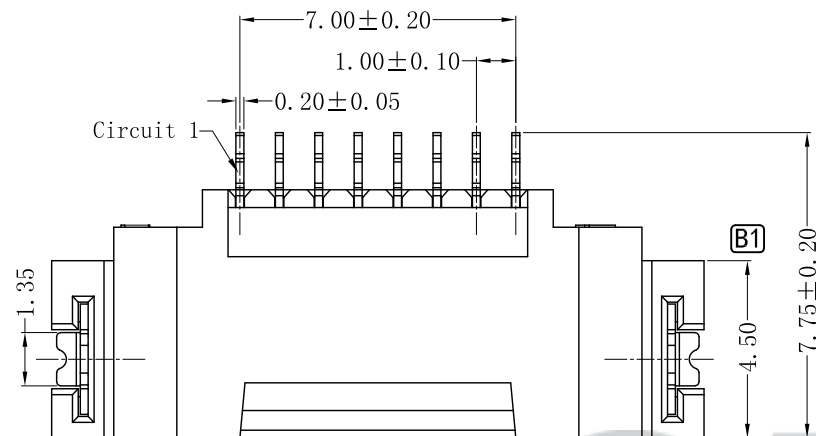


RoHS Compliant



SPECIFICATION

- 1 Contact resistance:  $\leq 30m\Omega$
- 2 Insulation resistance:  $\geq 500M\Omega$
- 3 Rated voltage: 150 V AC DC
- 4 Rated current: 1 A AC DC
- 5 Withstand Voltage: 500V AC/minute
- 6 Temperature Range:  $-25^{\circ}C \sim +85^{\circ}C$

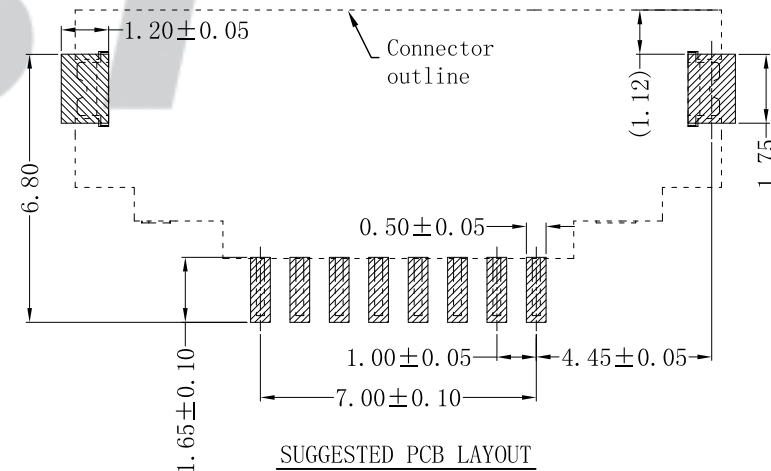
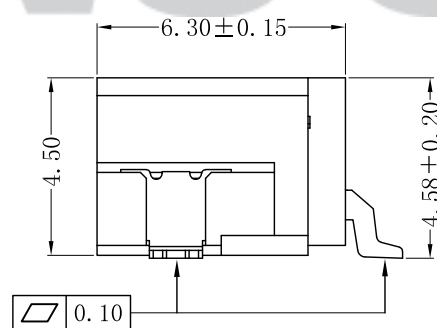
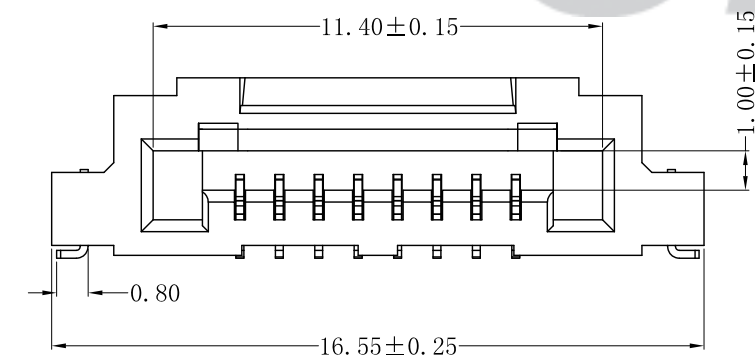
ORDER INFORMATION:

**A1015AWR-08-F2KA-R**

PART No. \_\_\_\_\_  
 No. OF CIRCUITS: \_\_\_\_\_  
 08 \_\_\_\_\_  
 PLASTIC MATERIAL: \_\_\_\_\_  
 F2K=LCP(Black)

PACKAGING: R=REEL  
 PLATING: A=Tin-plated

CNJST



专利产品

C/O	2022.09.05	统一标准 更新模板	王丽君	③	Solder Tab	2	Brass	Tin-plated
B/1	2021.01.15	定位片处加胶0.50mm	徐广	②	Contacts	8	Phosphor Bronze	Tin-plated
B/0	2019.11.25	NEW RELEASE	徐广	①	Insulator	1	LCP(UL94V-0)	Black
REV.	DATE	DESCRIPTION	APPD.	NO.	DESCRIPTION	QTY	MATERIAL	PLATING/COLOR

Tolerance X.X ±0.30 X.XX ±0.20 X.XXX ±0.10 Angle ±3.0°	<b>CNJST</b> 捷仕泰企业	Drawn: 王丽君 2022.09.05
UNIT: mm	Model No.: A1015AWR-08-F2KA-R	Checked: 吴丹平
	Model Name: 1.00mm pitch 90° WAFER-SMT TYPE	Approved: 林旭芝
	SCALE: FULL REVISION: C/O	DWG NO. CNJST/GCCP-0402