

RoHS Compliant

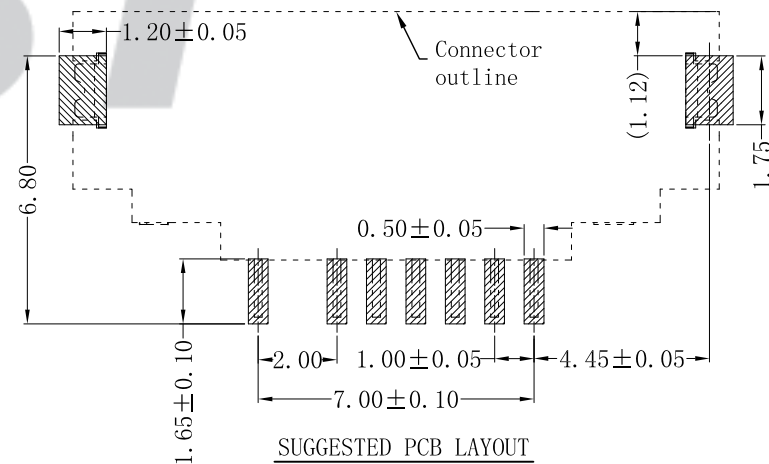
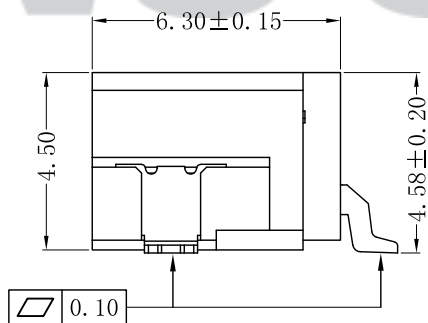
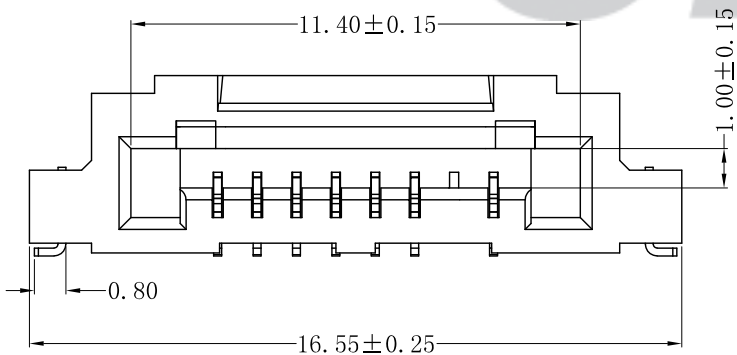
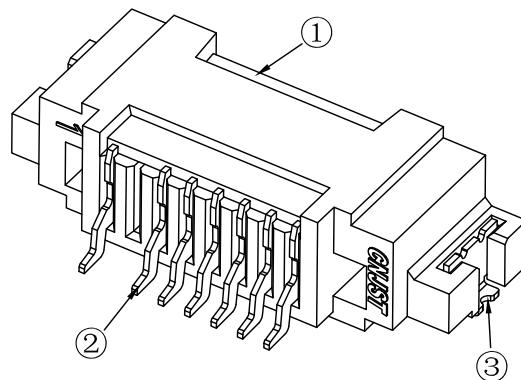
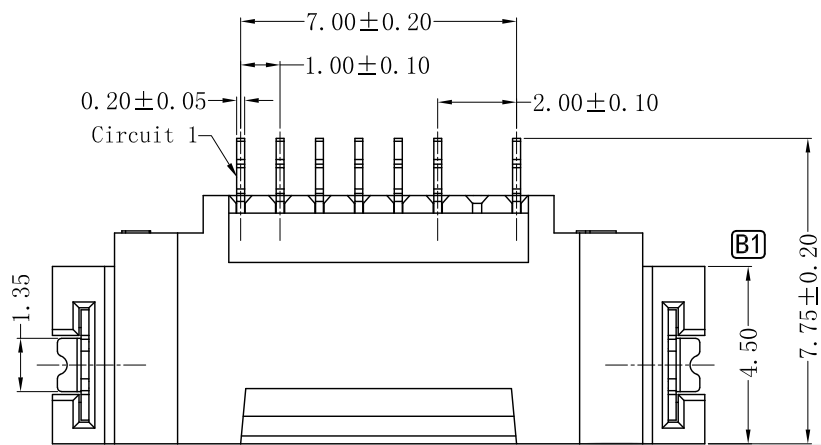
SPECIFICATION

- 1 Contact resistance: $\leq 30m\Omega$
- 2 Insulation resistance: $\geq 500M\Omega$
- 3 Rated voltage: 150 V AC DC
- 4 Rated current: 1 A AC DC
- 5 Withstand Voltage: 500V AC/minute
- 6 Temperature Range: $-25^{\circ}C \sim +85^{\circ}C$

ORDER INFORMATION:

A1015AWR-8P7-F2KA-R-DH7

PART No.:	A1015AWR-8P7-F2KA-R-DH7	PACKAGING:	DH7=缺第7枚
No. OF CIRCUITS:	8P7	PACKAGING:	R=REEL
PLASTIC MATERIAL:	F2K=LCP (Black)	PLATING:	A=Tin-plated



专利产品

C/O	2022.09.05	统一标准 更新模板	王丽君	③	Solder Tab	2	Brass	Tin-plated
B/1	2021.01.15	定位片处加胶0.50mm	徐广	②	Contacts	7	Phosphor Bronze	Tin-plated
B/0	2019.11.25	NEW RELEASE	徐广	①	Insulator	1	LCP (UL94V-0)	Black
REV.	DATE	DESCRIPTION	APPD.	NO.	DESCRIPTION	QTY	MATERIAL	PLATING/COLOR

Tolerance	X.X ±0.30	CNJST 捷仕泰企业	Drawn: 王丽君 2022.09.05
X.XX ±0.20	Model No.: A1015AWR-8P7-F2KA-R-DH7		Checked: 吴丹平
X.XXX ±0.10	Model Name: 1.00mm pitch 90° WAFER-SMT TYPE		Approved: 林旭芝
Angle ±3.0°	UNIT: mm		DWG NO. CNJST/GCCP-0402
		SCALE: FULL	REVISION: C/0