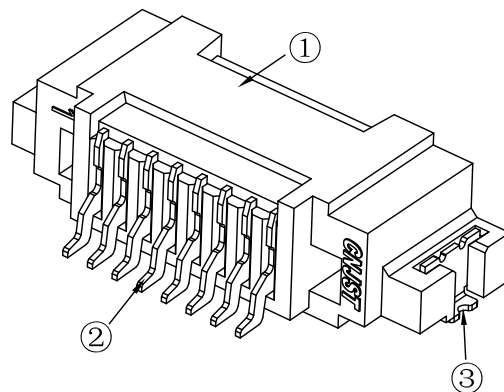
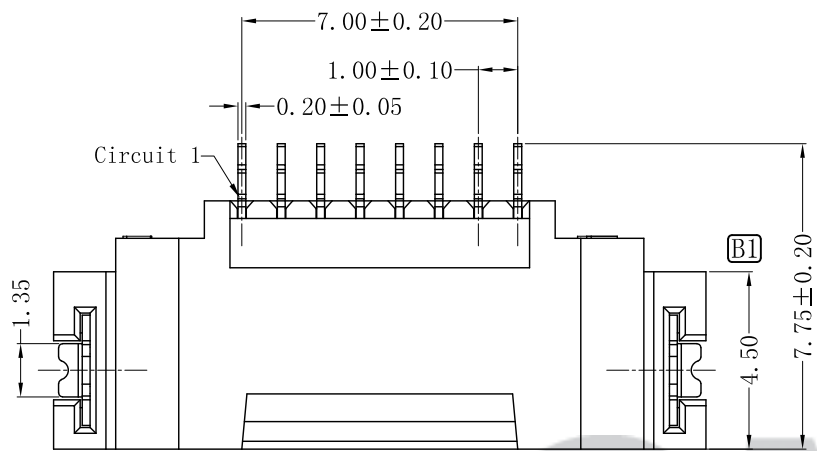


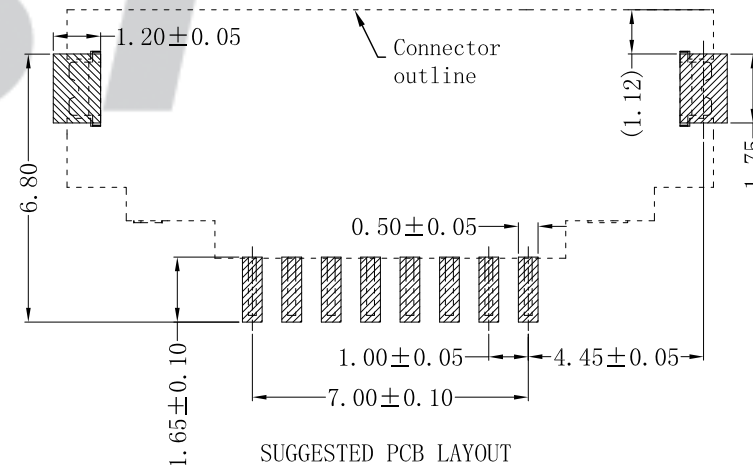
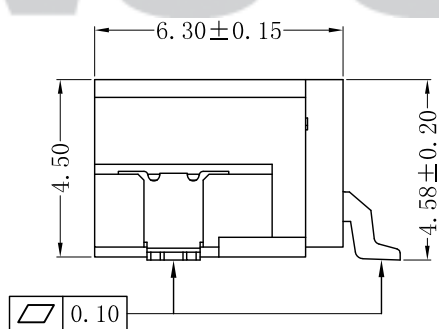
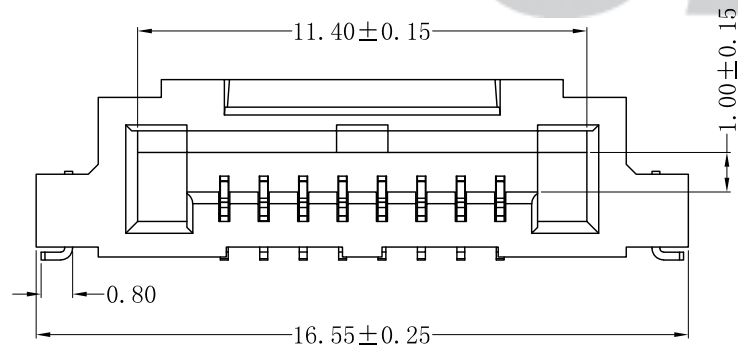
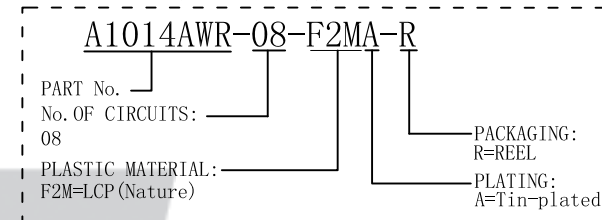
RoHS Compliant



SPECIFICATION

- 1 Contact resistance: $\leq 30m\Omega$
- 2 Insulation resistance: $\geq 500M\Omega$
- 3 Rated voltage: 150 V AC DC
- 4 Rated current: 1 A AC DC
- 5 Withstand Voltage: 500V AC/minute
- 6 Temperature Range: $-25^{\circ}C \sim +85^{\circ}C$

ORDER INFORMATION:



SUGGESTED PCB LAYOUT
(COMPONENT SIDE)

专利产品

C/0	2022.09.05	统一标准 更新模板	王丽君	③	Solder Tab	2	Brass	Tin-plated
B/1	2021.01.15	定位片处加胶0.50mm	徐广	②	Contacts	8	Phosphor Bronze	Tin-plated
B/0	2019.11.25	NEW RELEASE	徐广	①	Insulator	1	LCP (UL94V-0)	Nature
REV.	DATE	DESCRIPTION	APPD.	NO.	DESCRIPTION	QTY	MATERIAL	PLATING/COLOR

Tolerance	
X.X	± 0.30
X.XX	± 0.20
X.XXX	± 0.10
Angle	$\pm 3.0^{\circ}$
UNIT:	mm

CNJST 捷仕泰企业

Model No.: A1014AWR-08-F2MA-R

Model Name: 1.00mm pitch 90° WAFER-SMT TYPE

SCALE: FULL REVISION: C/0

Drawn:	王丽君 2022.09.05
Checked:	吴丹平
Approved:	林旭芝
DWG NO.	CNJST/GCCP-0401