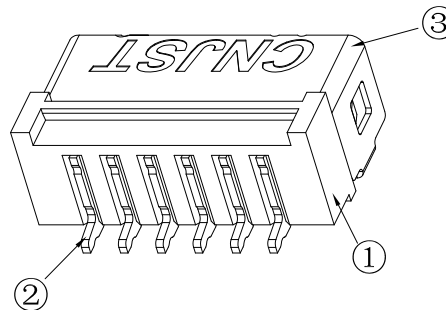
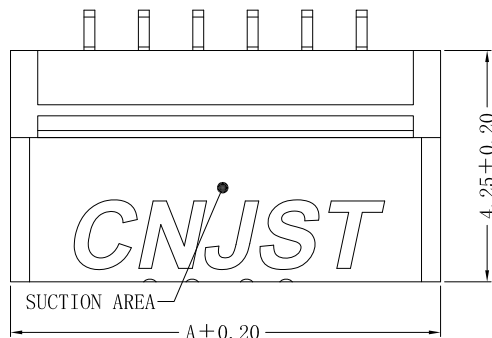


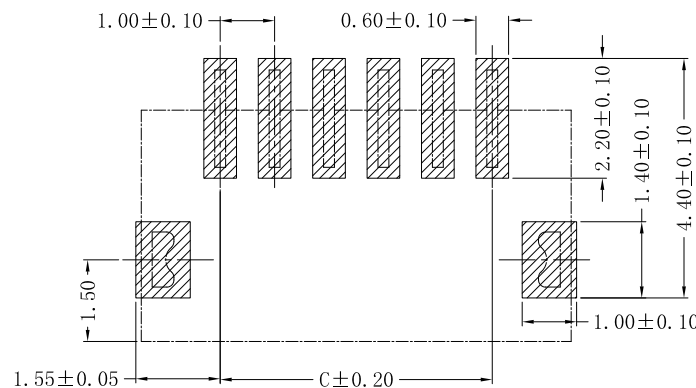
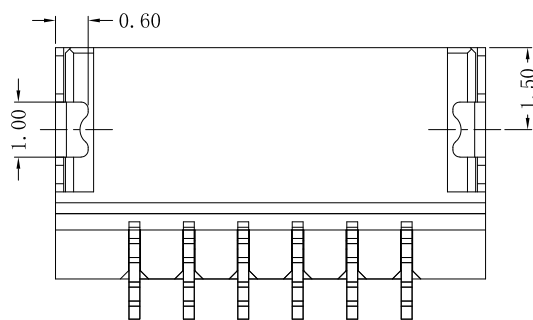
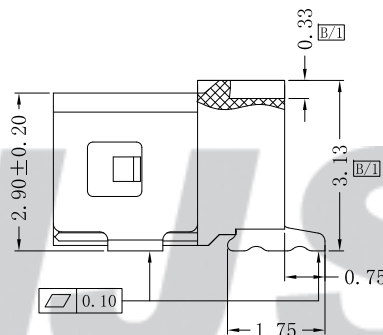
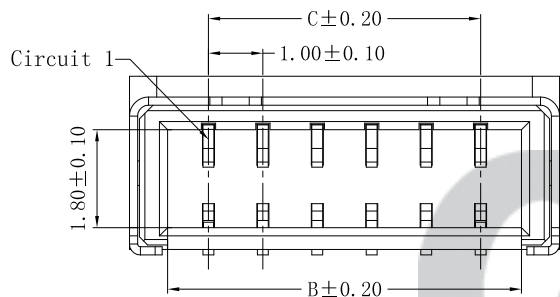
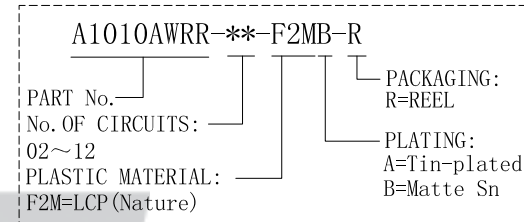
RoHS Compliant



### SPECIFICATION

- 1 Contact resistance:  $\leq 20\text{m}\Omega$
- 2 Insulation resistance:  $\geq 100\text{M}\Omega$
- 3 Rated voltage: 150 V AC DC
- 4 Rated current: 1.0 A AC DC
- 5 Withstand Voltage: 500V AC/minute
- 6 Temperature Range:  $-25^{\circ}\text{C} \sim +85^{\circ}\text{C}$

### ORDER INFORMATION:



Circuits	Dimensions (mm)		
	A	B	C
02	3.90	2.50	1.00
03	4.90	3.50	2.00
04	5.90	4.50	3.00
05	6.90	5.50	4.00
06	7.90	6.50	5.00
07	8.90	7.50	6.00
08	9.90	8.50	7.00
09	10.90	9.50	8.00
10	11.90	10.50	9.00
11	12.90	11.50	10.00
12	13.90	12.50	11.00

### SUGGESTED PCB LAYOUT (COMPONENT SIDE)

Tolerance  
 X.X  $\pm 0.30$   
 X.XX  $\pm 0.20$   
 X.XXX  $\pm 0.10$   
 Angle  $\pm 3.0^{\circ}$

**CNJST** 捷仕泰企业

Drawn: 王丽君 2022.08.12

REV.	DATE	DESCRIPTION	APPD.	NO.	DESCRIPTION	QTY	MATERIAL	PLATING/COLOR
C/0	2022.08.12	统一标准 更新模版	王丽君	③	Solder Tab	2	Phosphor Bronze	Matte Sn
B/1	2021.03.26	挂钩优化, ECR: JST2021004	黄羨程	②	Contacts	2~12	Phosphor Bronze	Matte Sn
B/0	2018.08.21	NEW RELEASE	黄金林	①	Insulator	1	LCP	Nature

UNIT: mm



SCALE: FULL

REVISION: C/0

Checked: 吴丹平

Approved: 林旭芝

DWG NO. CNJST/GCCP-0389

专利产品