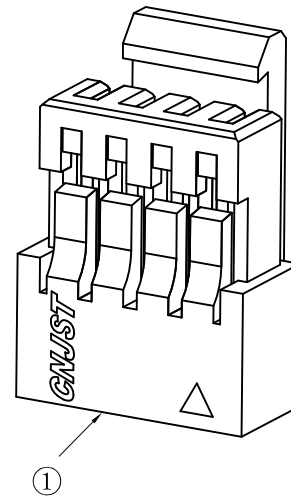
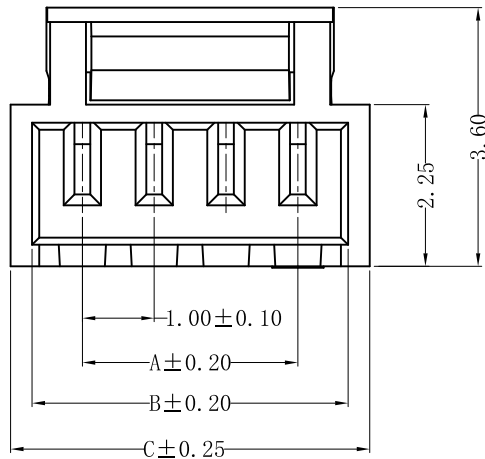


RoHS Compliant

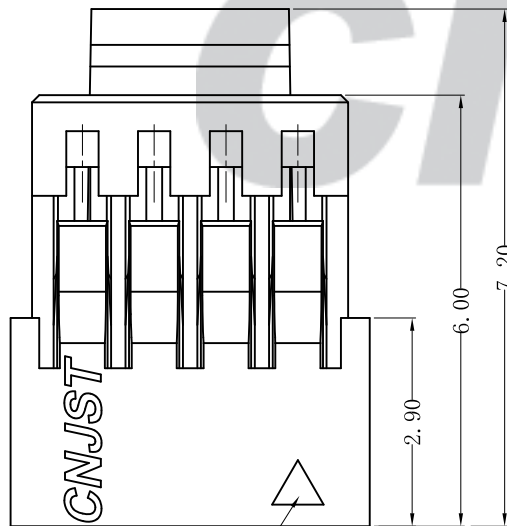


SPECIFICATION

- 1 Contact resistance: 20mΩ Max
- 2 Insulation resistance: 100MΩ Min
- 3 Rated voltage: 125V AC DC
- 4 Rated current: 1.0 A AC DC
- 5 Withstand Voltage: 500V AC/minute
- 6 Temperature Range: -25℃ ~ +85℃

ORDER INFORMATION:

A1009YR-**-A6W-P		
PART No.:		PACKAGING:
No. OF CIRCUITS:		P=PE
02~20		
PLASTIC MATERIAL:		
A6W=PA66 (WHITE)		



1.70 ± 0.15

B1

NO. 1 Mark

Circuits	Dimensions		
	A	B	C
02	1.00	2.40	3.00
03	2.00	3.40	4.00
04	3.00	4.40	5.00
05	4.00	5.40	6.00
06	5.00	6.40	7.00
07	6.00	7.40	8.00
08	7.00	8.40	9.00
09	8.00	9.40	10.00
10	9.00	10.40	11.00
11	10.00	11.40	12.00
12	11.00	12.40	13.00
13	12.00	13.40	14.00
14	13.00	14.40	15.00
15	14.00	15.40	16.00
16	15.00	16.40	17.00
17	16.00	17.40	18.00
18	17.00	18.40	19.00
19	18.00	19.40	20.00
20	19.00	20.40	21.00

专利产品

C/O	2022.07.12	统一标准 更新模版	王丽君						
B/1	2018.08.11	卡勾内侧增加脱模筋	黄金林						
B/0	2018.01.23	NEW RELEASE	黄金林	①	Insulator	1	PA66 (UL94V-0)	White	
REV.	DATE	DESCRIPTION	APPD.	NO.	DESCRIPTION	QTY	MATERIAL	PLATING/COLOR	

Tolerance	
X.X	±0.30
X.XX	±0.20
X.XXX	±0.10
Angle	±3.0°
UNIT:	mm

CNJST 捷仕泰企业

Model No.: A1009YR-**-A6W-P

Model Name: 1.00 Pitch Single Row Housing-WithLock

SCALE: FULL

REVISION: C/0

Drawn:	王丽君 2022.07.12
Checked:	吴丹平
Approved:	林旭芝
DWG NO.	CNJST/GCCP-0325