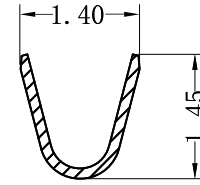
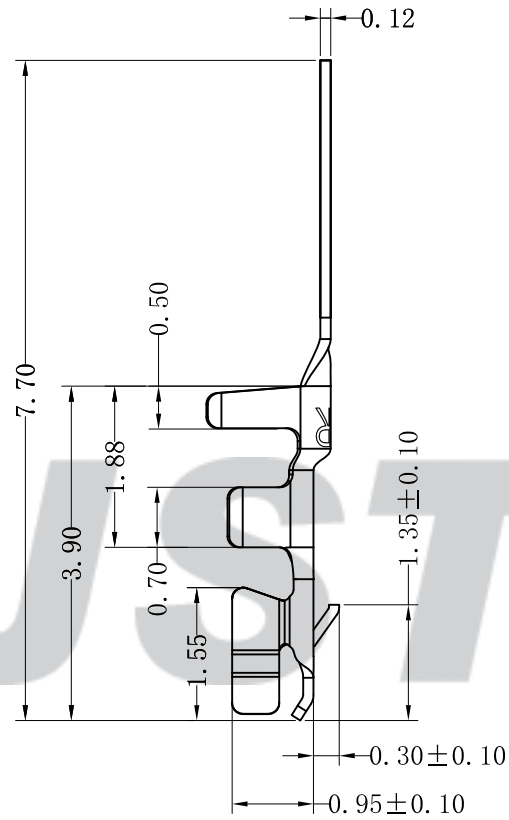
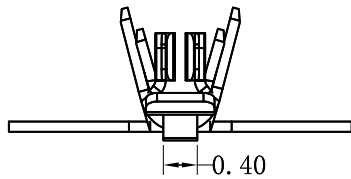
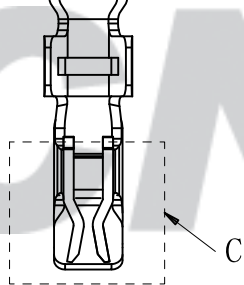
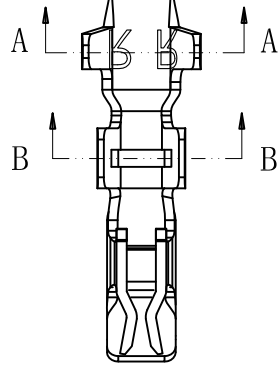
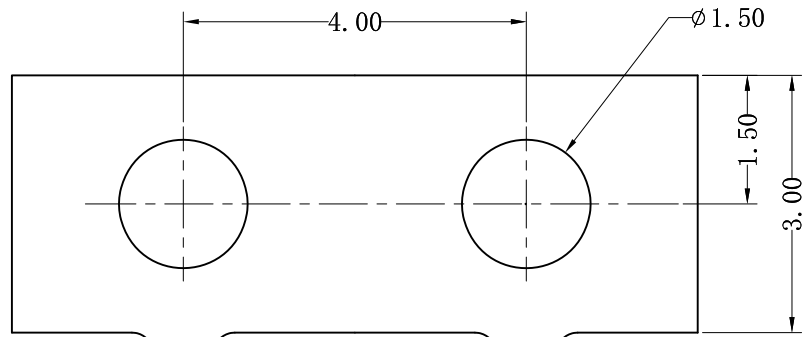
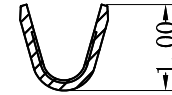


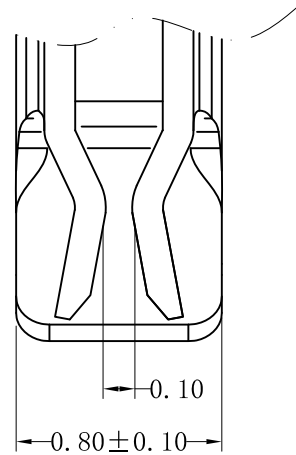
RoHS Compliant



SEC:A-A



SEC:B-B



DETAIL:C

SCALE:3/1

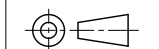
REV.	DATE	DESCRIPTION	APPD.	Wire Range	Insulation O.D.	QTY/Reel	Material	Plating
C/0	2022.07.12	更新模板	王丽君					
B/0	2021.06.15	NEW RELEASE	王程伟	AWG #28~#32	0.90mm (Max)	15,000PCS	Phosphor Bronze	Tin-plated

Tolerance
X.X ±0.30
X.XX ±0.20
X.XXX ±0.10
Angle ±3.0°

CNJST 捷仕泰企业	
Model No.: A1009T-PA-Z	
Model Name: 1.00mm PITCH CRIMP TERMINAL	

Drawn: 王丽君 2022.07.12
Checked: 吴丹平
Approved: 林旭芝
DWG NO. CNJST/GCDZ-0067

UNIT: mm



SCALE:FULL REVISION:C/0