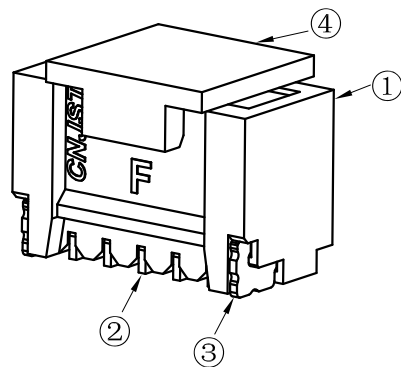
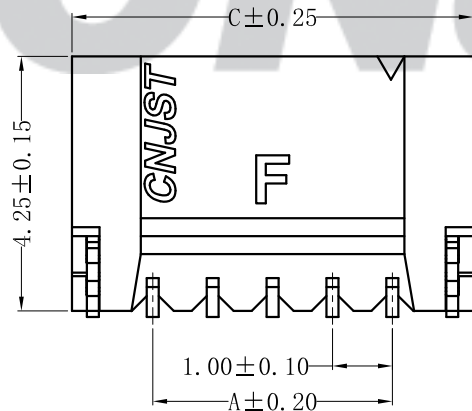
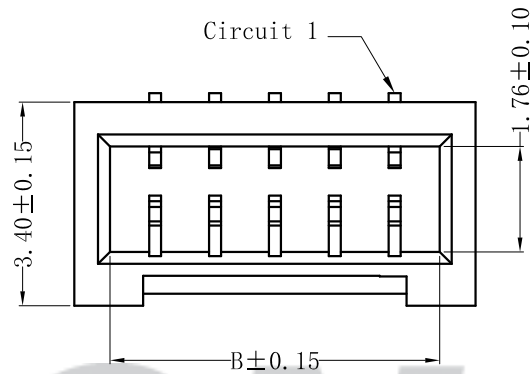
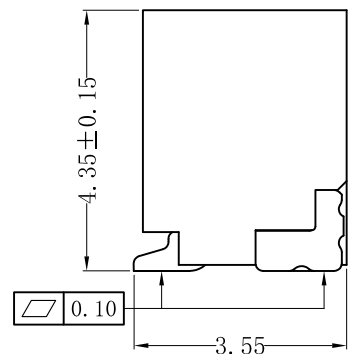


RoHS Compliant



Apply to Reel



Circuits	Dimensions		
	A	B	C
02	1.00	2.50	3.70
03	2.00	3.50	4.70
04	3.00	4.50	5.70
05	4.00	5.50	6.70
06	5.00	6.50	7.70
07	6.00	7.50	8.70
08	7.00	8.50	9.70
09	8.00	9.50	10.70
10	9.00	10.50	11.70
11	10.00	11.50	12.70
12	11.00	12.50	13.70
13	12.00	13.50	14.70
14	13.00	14.50	15.70
15	14.00	15.50	16.70
16	15.00	16.50	17.70
17	16.00	17.50	18.70
18	17.00	18.50	19.70
19	18.00	19.50	20.70
20	19.00	20.50	21.70

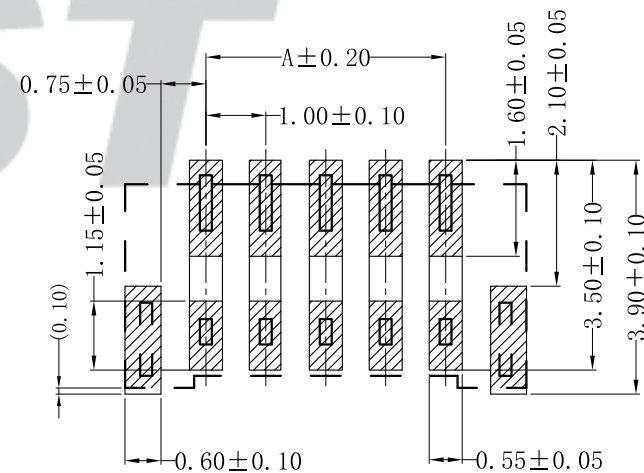
SPECIFICATION

- 1 Contact resistance: $\leq 20m\Omega$
- 2 Insulation resistance: $\geq 100M\Omega$
- 3 Rated voltage: 125 V AC DC
- 4 Rated current: 1.0 A AC DC
- 5 Withstand Voltage: 500V AC/minute
- 6 Temperature Range: $-25^{\circ}C \sim +85^{\circ}C$

ORDER INFORMATION:

A1009AWV--C1MB-R-X**

PART No.		X=Cap
No. OF CIRCUITS:	02~20	PACKAGING:
		R=Reel
PLASTIC MATERIAL:		PLATING:
C1M=FR52 (Nature)		B=Matte Sn



SUGGESTED PCB LAYOUT
(COMPONENT SIDE)

专利产品

REV.	DATE	DESCRIPTION	APPD.	NO.	DESCRIPTION	QTY	MATERIAL	PLATING/COLOR
				④	Cap	1	FR52 (UL94V-0)	Nature
				③	Solder Tab	2	Phosphor Bronze	Matte Sn
				②	Contacts	2~20	Phosphor Bronze	Matte Sn
				①	Insulator	1	FR52 (UL94V-0)	Nature

Tolerance	
X.X	±0.30
X.XX	±0.20
X.XXX	±0.10
Angle	±3.0°
UNIT: mm	

CNJST 捷仕泰企业

Model No.: A1009AWV-**-C1MB-R-X

Model Name: 1.00mm PITCH 180° WAFER-SMT TYPE

SCALE: FULL REVISION: C/0

Drawn: 王丽君 2022.07.11
Checked: 吴丹平
Approved: 林旭芝
DWG NO. CNJST/GCCP-0276