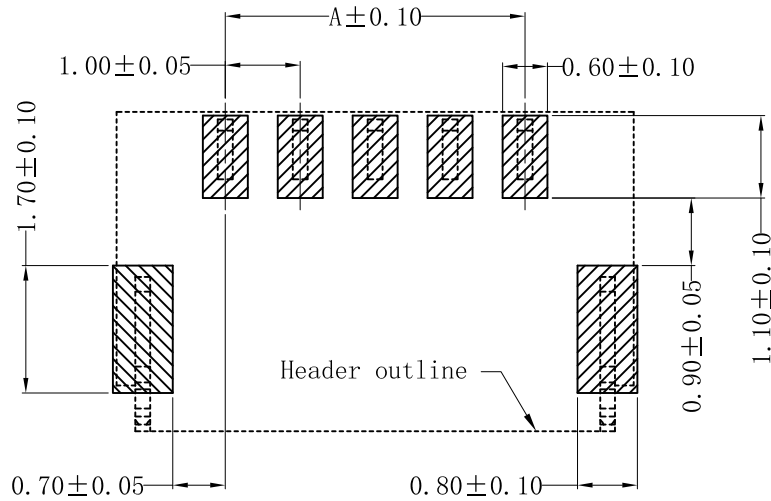
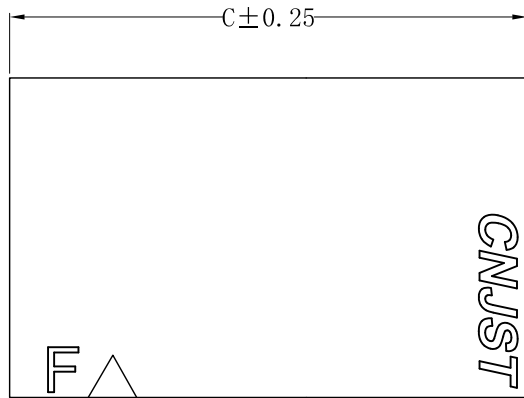


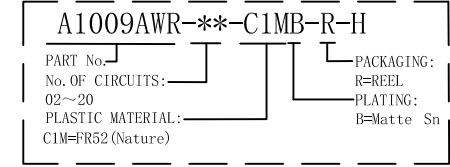
RoHS Compliant



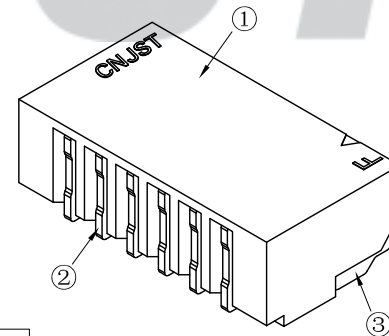
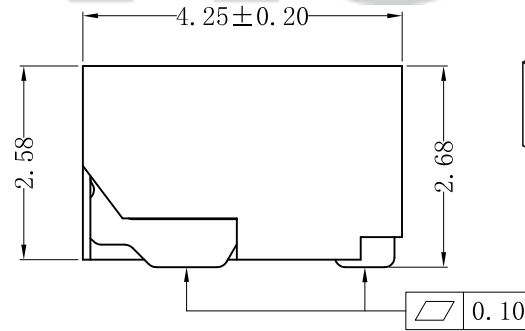
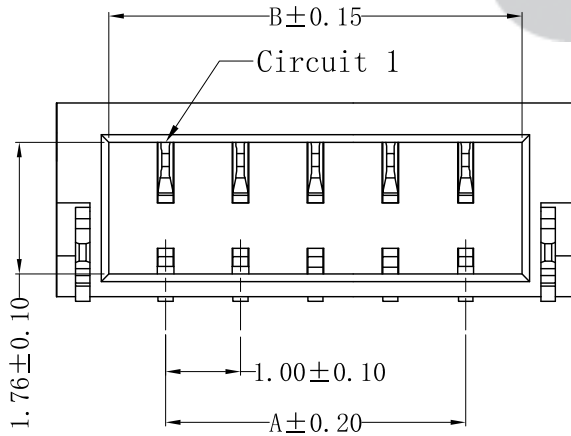
SPECIFICATION

- 1 Contact resistance: $\leq 20m\Omega$
- 2 Insulation resistance: $\geq 100M\Omega$
- 3 Rated voltage: 125 V AC DC
- 4 Rated current: 1.0 A AC DC
- 5 Withstand Voltage: 500V AC/minute
- 6 Temperature Range: $-25^{\circ}C \sim +85^{\circ}C$

ORDER INFORMATION:



SUGGESTED PCB LAYOUT
(COMPONENT SIDE)



Circuits	Dimensions		
	A	B	C
02	1.00	2.50	3.90
03	2.00	3.50	4.90
04	3.00	4.50	5.90
05	4.00	5.50	6.90
06	5.00	6.50	7.90
07	6.00	7.50	8.90
08	7.00	8.50	9.90
09	8.00	9.50	10.90
10	9.00	10.50	11.90
11	10.00	11.50	12.90
12	11.00	12.50	13.90
13	12.00	13.50	14.90
14	13.00	14.50	15.90
15	14.00	15.50	16.90
16	15.00	16.50	17.90
17	16.00	17.50	18.90
18	17.00	18.50	19.90
19	18.00	19.50	20.90
20	19.00	20.50	21.90

专利产品

Tolerance X.X ±0.30 X.XX ±0.20 X.XXX ±0.10 Angle ±3.0°	CNJST 捷仕泰企业		Drawn: 王丽君 2022.07.12
	Model No.: A1009AWR-**-C1MB-R-H		Checked: 吴丹平
	Model Name: 1.00mm pitch 90° Single Row Wafer-SMT TYPE		Approved: 林旭芝
	UNIT: mm	SCALE: FULL	REVISION: C/0

REV.	DATE	DESCRIPTION	APPD.	NO.	DESCRIPTION	QTY	MATERIAL	PLATING/COLOR
C/0	2022.07.12	统一标准 更新模版	王丽君	③	Solder Tab	2	Phosphor Bronze	Matte Sn
B/0	2019.10.15	NEW RELEASE	徐广	②	Contacts	2~20	Phosphor Bronze	Matte Sn
				①	Insulator	1	FR52 (UL94V-0)	Nature

DWG NO. CNJST/GCCP-0284