

RoHS Compliant

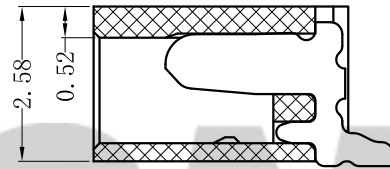
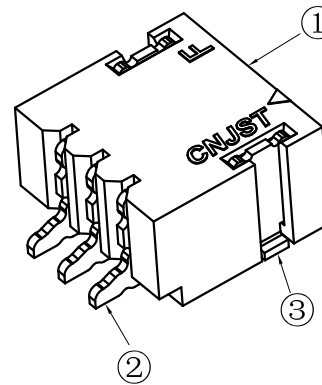
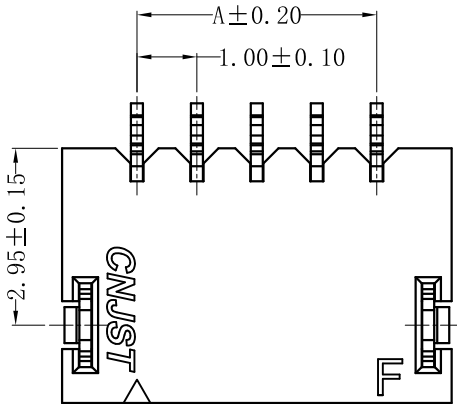
SPECIFICATION

- 1 Contact resistance: $\leq 20\text{m}\Omega$
- 2 Insulation resistance: $\geq 100\text{M}\Omega$
- 3 Rated voltage: 125 V AC DC
- 4 Rated current: 1.0 A AC DC
- 5 Withstand Voltage: 500V AC/minute
- 6 Temperature Range: $-25^{\circ}\text{C} \sim +85^{\circ}\text{C}$

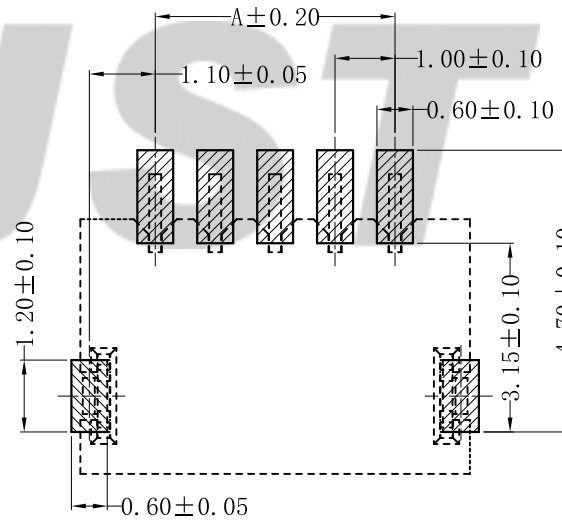
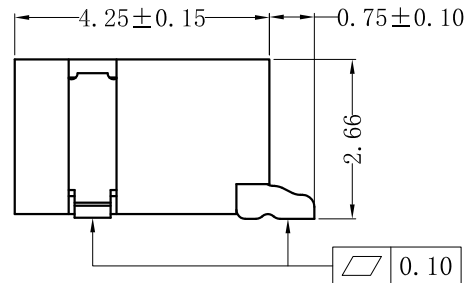
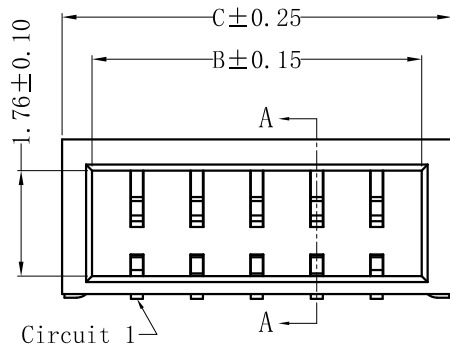
ORDER INFORMATION:

A1009AWR--C1MB-R**

PART No.		PACKAGING:
No. OF CIRCUITS:	02~20	R=Reel
PLASTIC MATERIAL:		PLATING:
C1M=FR52 (Nature)		B=Matte Sn



SECTION A-A



SUGGESTED PCB LAYOUT
(COMPONENT SIDE)

Circuits	Dimensions		
	A	B	C
02	1.00	2.50	3.50
03	2.00	3.50	4.50
04	3.00	4.50	5.50
05	4.00	5.50	6.50
06	5.00	6.50	7.50
07	6.00	7.50	8.50
08	7.00	8.50	9.50
09	8.00	9.50	10.50
10	9.00	10.50	11.50
11	10.00	11.50	12.50
12	11.00	12.50	13.50
13	12.00	13.50	14.50
14	13.00	14.50	15.50
15	14.00	15.50	16.50
16	15.00	16.50	17.50
17	16.00	17.50	18.50
18	17.00	18.50	19.50
19	18.00	19.50	20.50
20	19.00	20.50	21.50

专利产品

REV.	DATE	DESCRIPTION	APPD.	NO.	DESCRIPTION	QTY	MATERIAL	PLATING/COLOR
C/O	2022.07.11	统一标准 更新模版	王丽君	③	Solder Tab	2	Phosphor Bronze	Matte Sn
B/O	2019.10.15	NEW RELEASE	徐广	②	Contacts	2~20	Phosphor Bronze	Matte Sn
				①	Insulator	1	FR52 (UL94V-0)	Nature

Tolerance	X.X ±0.30
	X.XX ±0.20
	X.XXX ±0.10
Angle	±3.0°
UNIT:	mm

CNJST 捷仕泰企业

Model No.: A1009AWR-**-C1MB-R

Model Name: 1.00mm PITCH 90° WAFER-SMT TYPE

SCALE: FULL

REVISION: C/0

Drawn:	王丽君 2022.07.11
Checked:	吴丹平
Approved:	林旭芝
DWG NO.	CNJST/GCCP-0275