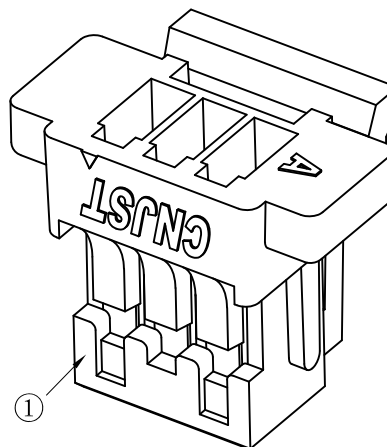
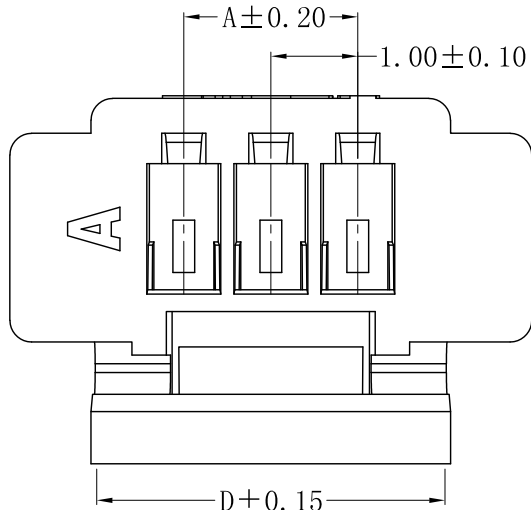


RoHS Compliant



SPECIFICATION

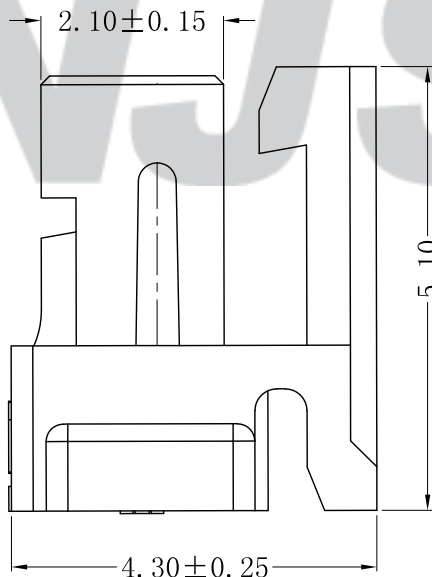
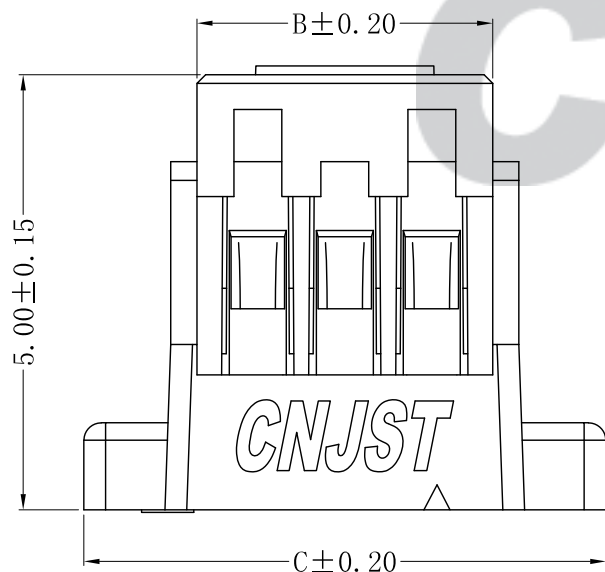
- 1 Contact resistance: $\leq 20m\Omega$
- 2 Insulation resistance: $\geq 100M\Omega$
- 3 Rated voltage: 50 V AC DC
- 4 Rated current: 1.0 A AC DC
- 5 Withstand Voltage: 800V AC/minute
- 6 Temperature Range: $-25^{\circ}C \sim +85^{\circ}C$

ORDER INFORMATION:

A1001YR--A6W-P**

PART No. _____
 No. OF CIRCUITS: _____
 02~20

PACKAGING:
 P=PE
 PLASTIC MATERIAL:
 A6W=PA66 (WHITE)



Circuits	Dimensions (mm)			
	A	B	C	D
2	1.00	2.40	5.00	3.00
3	2.00	3.40	6.00	4.00
4	3.00	4.40	7.00	5.00
5	4.00	5.40	8.00	6.00
6	5.00	6.40	9.00	
7	6.00	7.40	10.00	
8	7.00	8.40	11.00	
9	8.00	9.40	12.00	
10	9.00	10.40	13.00	
11	10.00	11.40	14.00	8.00
12	11.00	12.40	15.00	
13	12.00	13.40	16.00	
14	13.00	14.40	17.00	
15	14.00	15.40	18.00	
16	15.00	16.40	19.00	
17	16.00	17.40	20.00	
18	17.00	18.40	21.00	
19	18.00	19.40	22.00	
20	19.00	20.40	23.00	

Tolerance X.X ±0.30 X.XX ±0.20 X.XXX ±0.10 Angle ±3.0°	CNJST 捷仕泰企业		Drawn: 王丽君 2022.07.22
	Model No.: A1001YR-**-A6W-P		Checked: 吴丹平
	Model Name: 1.00mm PITCH HOUSING		Approved: 林旭芝
	UNIT: mm	SCALE: FULL	REVISION: C/0

REV.	DATE	DESCRIPTION	APPD.	NO.	DESCRIPTION	QTY	MATERIAL	PLATING/COLOR
C/O	2022.07.22	统一标准 更新模版	王丽君					
B/O	2021.06.15	NEW RELEASE	黄羨程	①	Insulator	1	PA66 (UL94V-0)	White