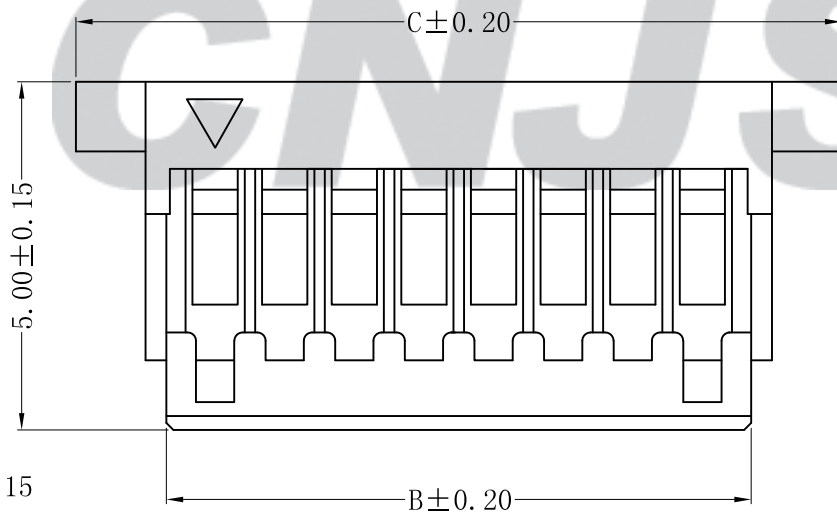
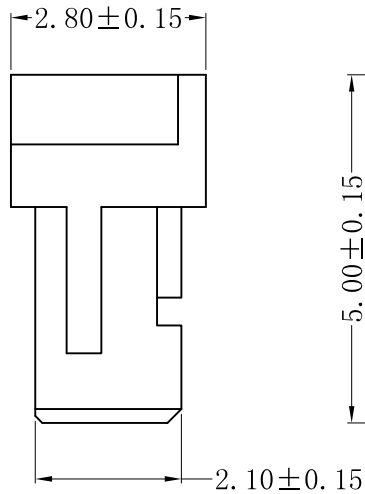
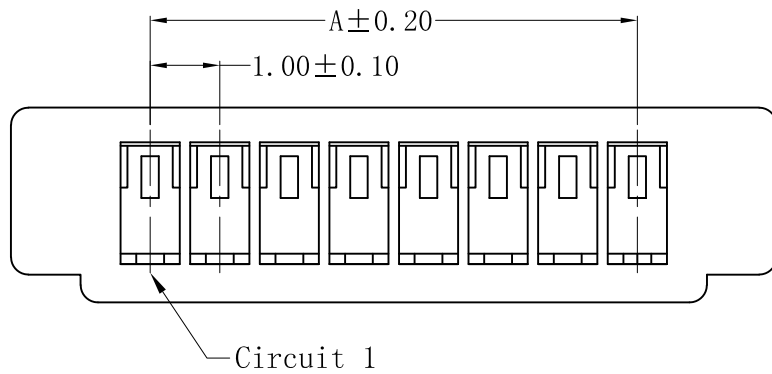
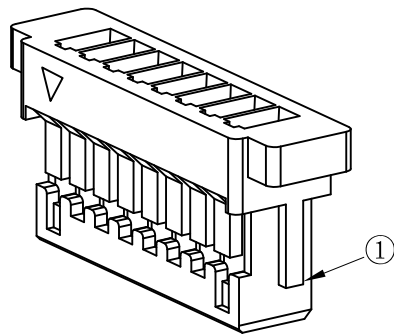


RoHS Compliant



SPECIFICATION

- 1 Contact resistance:  $\leq 20m\Omega$
- 2 Insulation resistance:  $\geq 100M\Omega$
- 3 Rated voltage: 50 V AC DC
- 4 Rated current: 1.0 A AC DC
- 5 Withstand Voltage: 800V AC/minute
- 6 Temperature Range:  $-25^{\circ}C \sim +85^{\circ}C$

ORDER INFORMATION:

<b>A1001Y-**-E1W-P</b>		
PART No.:	PACKAGING: P=PE	PLASTIC MATERIAL: E1W=PBT (WHITE)
No. OF CIRCUITS: 02~16		

Circuits	Dimensions (mm)			Circuits	Dimensions (mm)		
	A	B	C		A	B	C
02	1.00	2.40	5.00	10	9.00	10.40	13.00
03	2.00	3.40	6.00	11	10.00	11.40	14.00
04	3.00	4.40	7.00	12	11.00	12.40	15.00
05	4.00	5.40	8.00	13	12.00	13.40	16.00
06	5.00	6.40	9.00	14	13.00	14.40	17.00
07	6.00	7.40	10.00	15	14.00	15.40	18.00
08	7.00	8.40	11.00	16	15.00	16.40	19.00
09	8.00	9.40	12.00				

Tolerance X.X ±0.30 X.XX ±0.20 X.XXX ±0.10 Angle ±3.0°	<b>CNJST 捷仕泰企业</b>			Drawn: 王丽君 2022.07.22
	Model No.: A1001Y-**-E1W-P			Checked: 吴丹平
	Model Name: 1.00mm PITCH HOUSING			Approved: 林旭芝
	UNIT: mm			DWG NO. CNJST/GCCP-0149

C/O	2022.07.22	统一标准 更新模版	王丽君					
B/O	2021.06.15	NEW RELEASE	黄羨程	①	Insulator	1	PBT (UL94V-0)	White
REV.	DATE	DESCRIPTION	APPD.	NO.	DESCRIPTION	QTY	MATERIAL	PLATING/COLOR