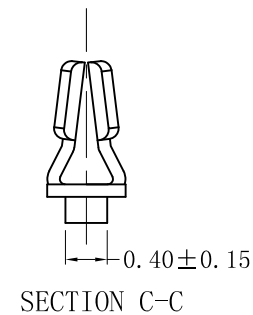
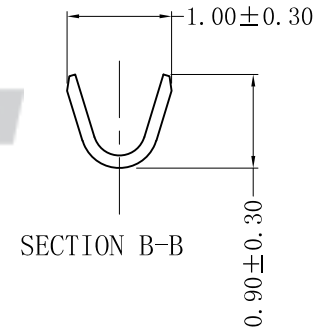
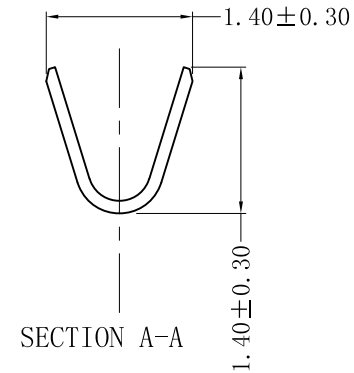
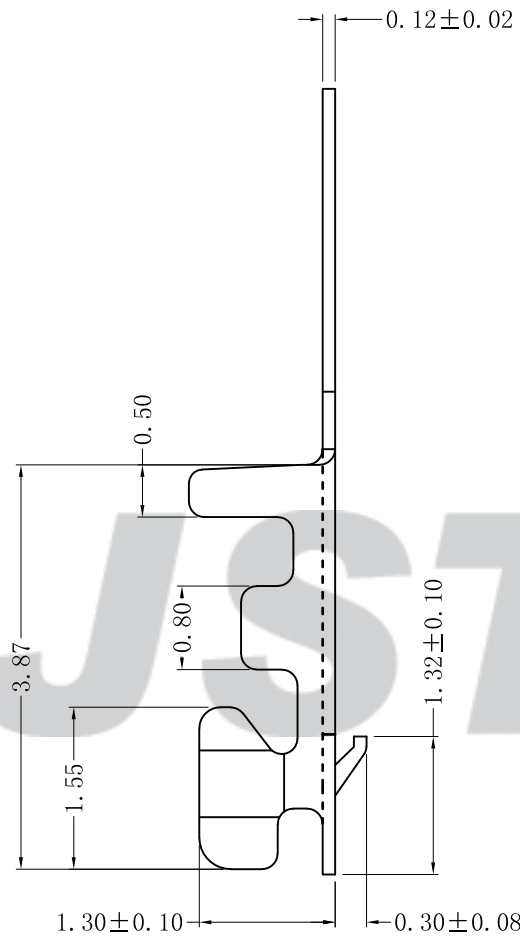
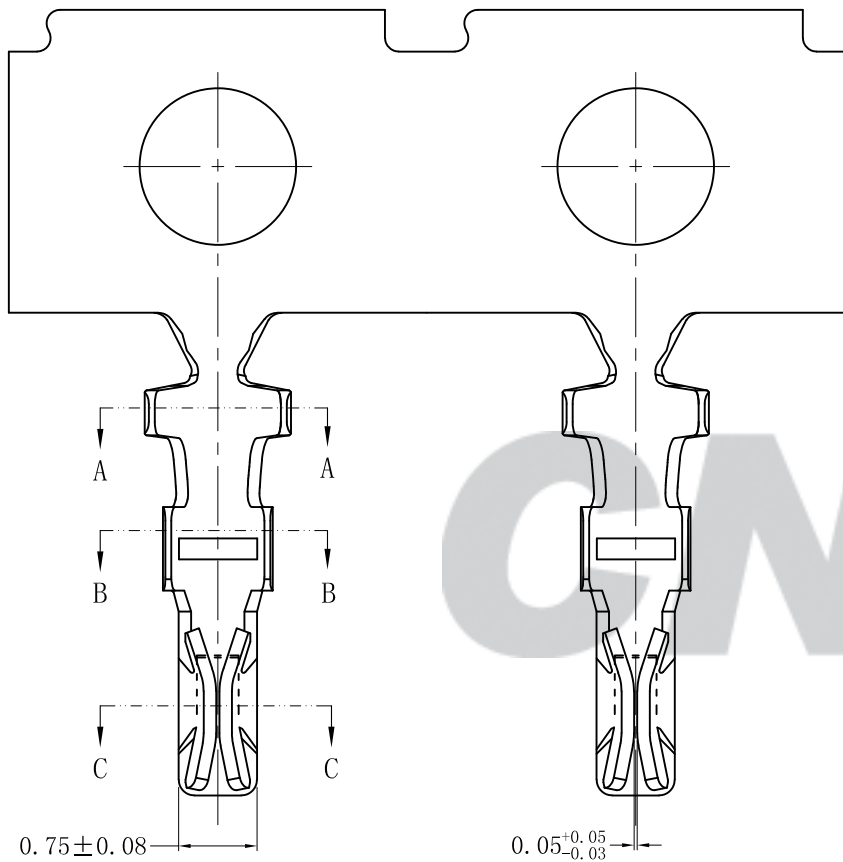


RoHS Compliant



Tolerance X.X ±0.30 X.XX ±0.20 X.XXX ±0.10 Angle ±3.0°	CNJST 捷仕泰企业		Drawn: 王丽君 2022.07.22
	Model No.: A1001T-P*-Z		Checked: 吴丹平
UNIT: mm	Model Name: 1.00mm PITCH CRIMP TERMINAL		Approved: 林旭芝
		SCALE: FULL	REVISION: C/0
			DWG NO. CNJST/GCDZ-0001

REV.	DATE	DESCRIPTION	APPD.	Part No	Wire Range	Insulation O.D.	QTY/Reel	Material	Plating
C/0	2022.07.22	更新模版	王丽君	A1001T-PC-Z	AWG #28~#32	0.60mm(max)	15,000Pcs	Phosphor Bronze	Gold-plated
B/0	2021.06.15	NEW RELEASE	王程伟	A1001T-PA-Z	AWG #28~#32	0.60mm(max)	15,000Pcs	Phosphor Bronze	Tin-plated