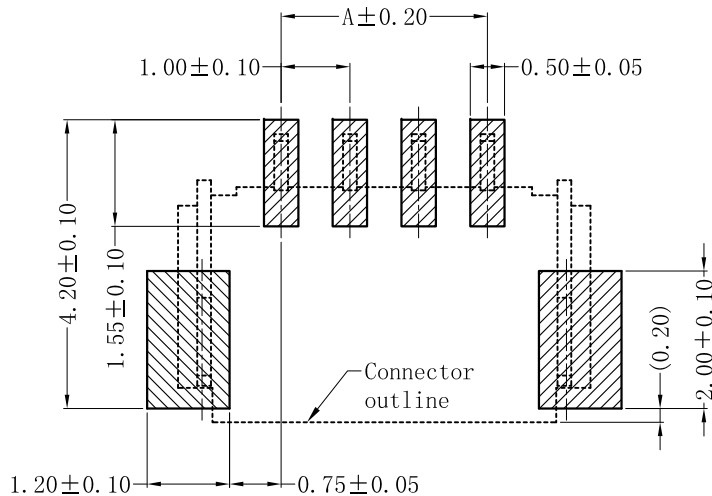
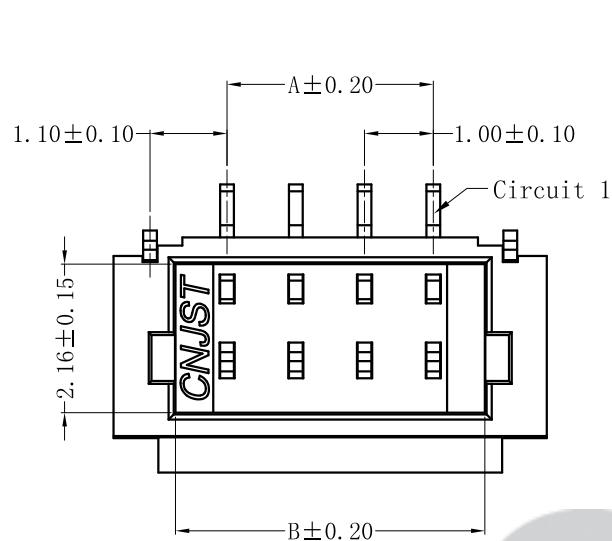
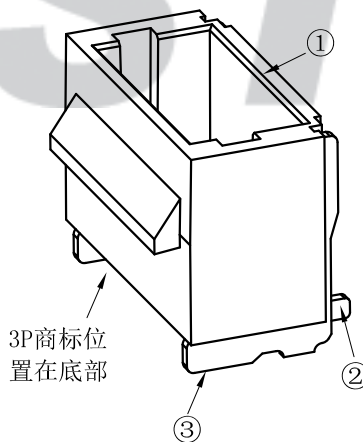
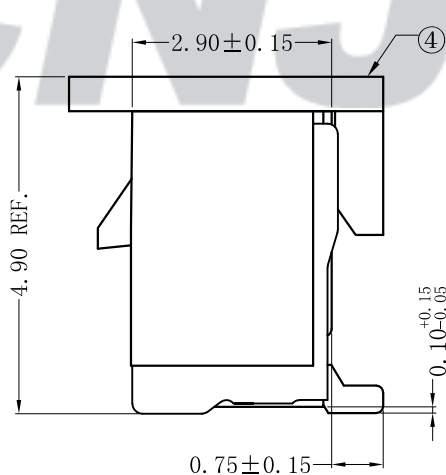
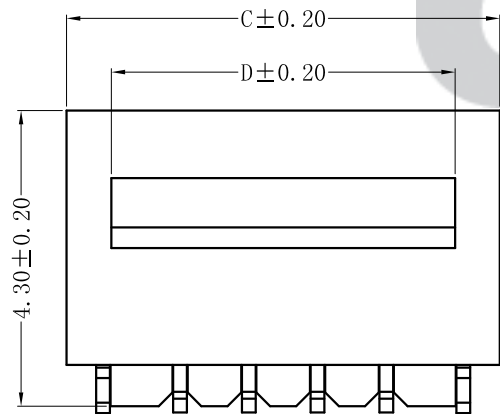


RoHS Compliant



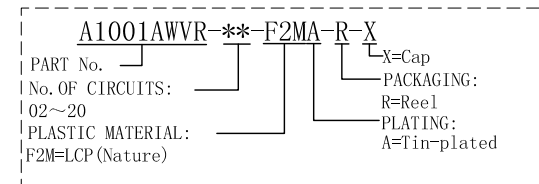
SUGGESTED PCB LAYOUT
(COMPONENT SIDE)



SPECIFICATION

- 1 Contact resistance: $\leq 20m\Omega$
- 2 Insulation resistance: $\geq 100M\Omega$
- 3 Rated voltage: 50 V AC DC
- 4 Rated current: 1.0 A AC DC
- 5 Withstand Voltage: 800V AC/minute
- 6 Temperature Range: $-25^{\circ}C \sim +85^{\circ}C$

ORDER INFORMATION:



Circuits	Dimensions			
	A	B	C	D
02	1.00	2.50	4.30	3.00
03	2.00	3.50	5.30	4.00
04	3.00	4.50	6.30	5.00
05	4.00	5.50	7.30	6.00
06	5.00	6.50	8.30	
07	6.00	7.50	9.30	
08	7.00	8.50	10.30	
09	8.00	9.50	11.30	
10	9.00	10.50	12.30	
11	10.00	11.50	13.30	8.00
12	11.00	12.50	14.30	
13	12.00	13.50	15.30	
14	13.00	14.50	16.30	
15	14.00	15.50	17.30	
16	15.00	16.50	18.30	
17	16.00	17.50	19.30	
18	17.00	18.50	20.30	
19	18.00	19.50	21.30	
20	19.00	20.50	22.30	

专利产品

REV.	DATE	DESCRIPTION	APPD.	NO.	DESCRIPTION	QTY	MATERIAL	PLATING/COLOR
C/O	2022.07.23	统一标准 更新模板	王丽君	④	Cap	1	LCP (UL94V-0)	Nature
B/O	2021.06.15	NEW RELEASE	王程伟	③	Solder Tabs	2	Phosphor Bronze	Tin-plated
				②	Contacts	2~20	Phosphor Bronze	Tin-plated
				①	Insulator	1	LCP (UL94V-0)	Nature

Tolerance	X.X ±0.30
	X.XX ±0.20
	X.XXX ±0.10
Angle	±3.0°
UNIT:	mm

CNJST 捷仕泰企业

Model No.: A1001AWVR-**-F2MA-R-X

Model Name: 1.00mm pitch 180° WAFER-SMT TYPE

Drawn: 王丽君 2022.07.23
Checked: 吴丹平
Approved: 林旭芝
DWG NO. CNJST/GCCP-0282