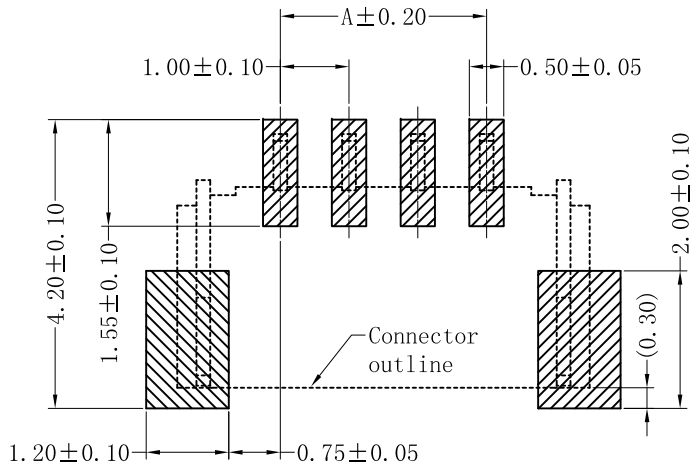
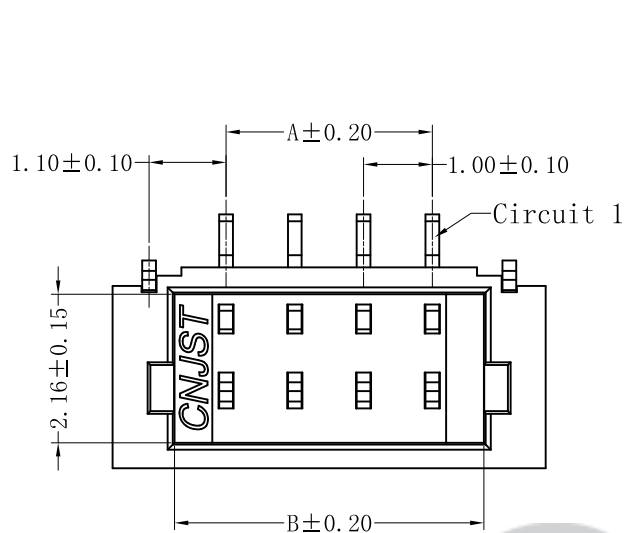


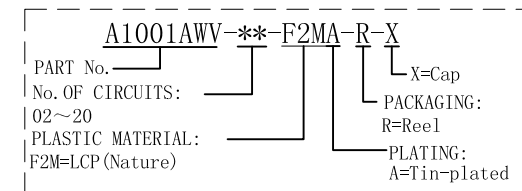
RoHS Compliant



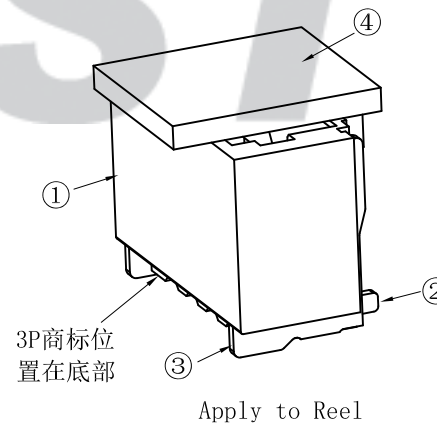
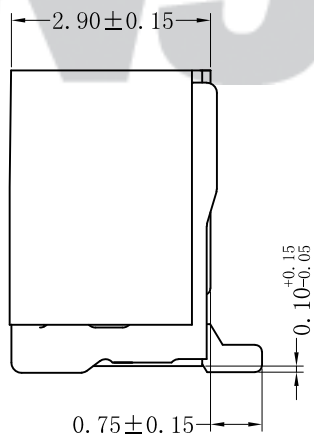
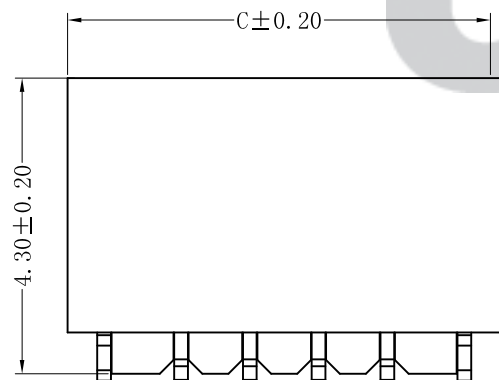
SPECIFICATION

- 1 Contact resistance: $\leq 20m\Omega$
- 2 Insulation resistance: $\geq 100M\Omega$
- 3 Rated voltage: 50 V AC DC
- 4 Rated current: 1.0 A AC DC
- 5 Withstand Voltage: 800V AC/minute
- 6 Temperature Range: $-25^{\circ}C \sim +85^{\circ}C$

ORDER INFORMATION:



SUGGESTED PCB LAYOUT
(COMPONENT SIDE)



Circuits	Dimensions		
	A	B	C
02	1.00	2.50	4.30
03	2.00	3.50	5.30
04	3.00	4.50	6.30
05	4.00	5.50	7.30
06	5.00	6.50	8.30
07	6.00	7.50	9.30
08	7.00	8.50	10.30
09	8.00	9.50	11.30
10	9.00	10.50	12.30
11	10.00	11.50	13.30
12	11.00	12.50	14.30
13	12.00	13.50	15.30
14	13.00	14.50	16.30
15	14.00	15.50	17.30
16	15.00	16.50	18.30
17	16.00	17.50	19.30
18	17.00	18.50	20.30
19	18.00	19.50	21.30
20	19.00	20.50	22.30

专利产品

REV.	DATE	DESCRIPTION	APPD.	NO.	DESCRIPTION	QTY	MATERIAL	PLATING/COLOR
C/0	2022.07.23	统一标准 更新模版	王丽君	④	Cap	1	LCP (UL94V-0)	Nature
B/0	2021.06.15	NEW RELEASE	王程伟	③	Solder Tabs	2	Phosphor Bronze	Tin-plated
				②	Contacts	2~20	Phosphor Bronze	Tin-plated
				①	Insulator	1	LCP (UL94V-0)	Nature

Tolerance	X.X ±0.30
	X.XX ±0.20
	X.XXX ±0.10
Angle	±3.0°
UNIT:	mm

CNJST 捷仕泰企业

Model No.: A1001AWV-**-F2MA-R-X

Model Name: 1.00mm pitch 180° WAFER-SMT TYPE

SCALE: FULL REVISION: C/0

Drawn: 王丽君 2022.07.23

Checked: 吴丹平

Approved: 林旭芝

DWG NO. CNJST/GCCP-0016