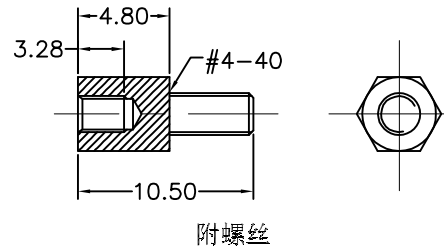
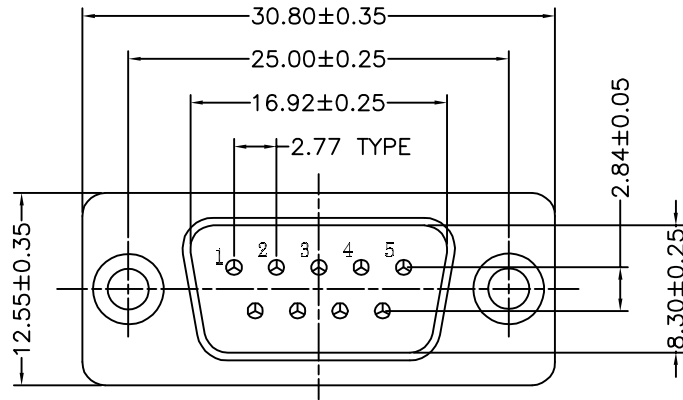


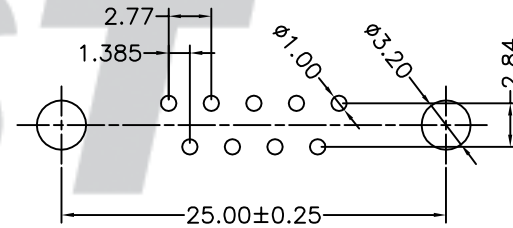
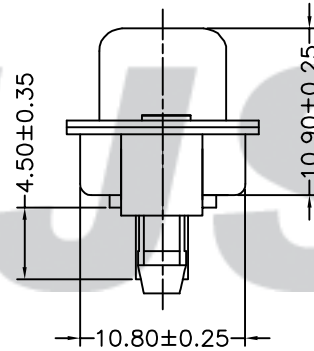
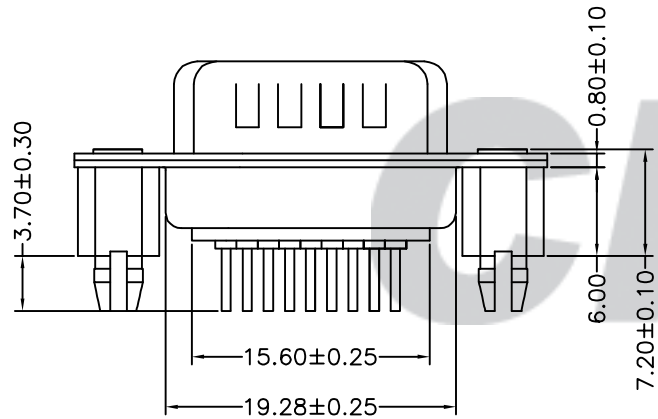
RoHS Compliant

成品图



SPECIFICATION

- 1 Contact resistance: $\leq 30m\Omega$
- 2 Insulation resistance: $\geq 1000M\Omega$
- 3 Rated voltage: 250 V AC DC
- 4 Rated current: 5 A AC DC
- 5 Withstand Voltage: 500V AC/minute
- 6 Temperature Range: $-55^{\circ}C \sim +105^{\circ}C$
- 7 Contact Insertion Force: 300gf Max
Contact Separation Force: 25gf Min



SUGGESTED PCB LAYOUT
(COMPONENT SIDE)

B/0	2016.04.12	NEW RELEASE	
REV.	DATE	DESCRIPTION	APPD.

③	Shell	1	SPCC	Tin-plated
②	Contacts	9	C2680R-H	Gold-plated 1U* in Mating Area; Tin-plated on Solder Tails
①	Insulator	1	PBT	Blue
NO.	DESCRIPTION	QTY	MATERIAL	PLATING/COLOR

Tolerance	Model Name:		Drawn: 蔡忠忠 2016. 04. 12
X.X ±0.30 X.XX ±0.20 X.XXX ±0.10 Angle ±3.0°	Model No: DP 9P公插板柳鱼叉附螺丝 蓝色		
UNIT: mm		SCALE: FULL	REVISION: B/0
CNJST 浙江捷仕泰电子有限公司 ZHEJIANG JIESHITAI ELECTRONIC CO., LTD			Checked: 林旭芝
			Approved: 刘祚杰
			DWG NO. CNJST/GCCP-0031