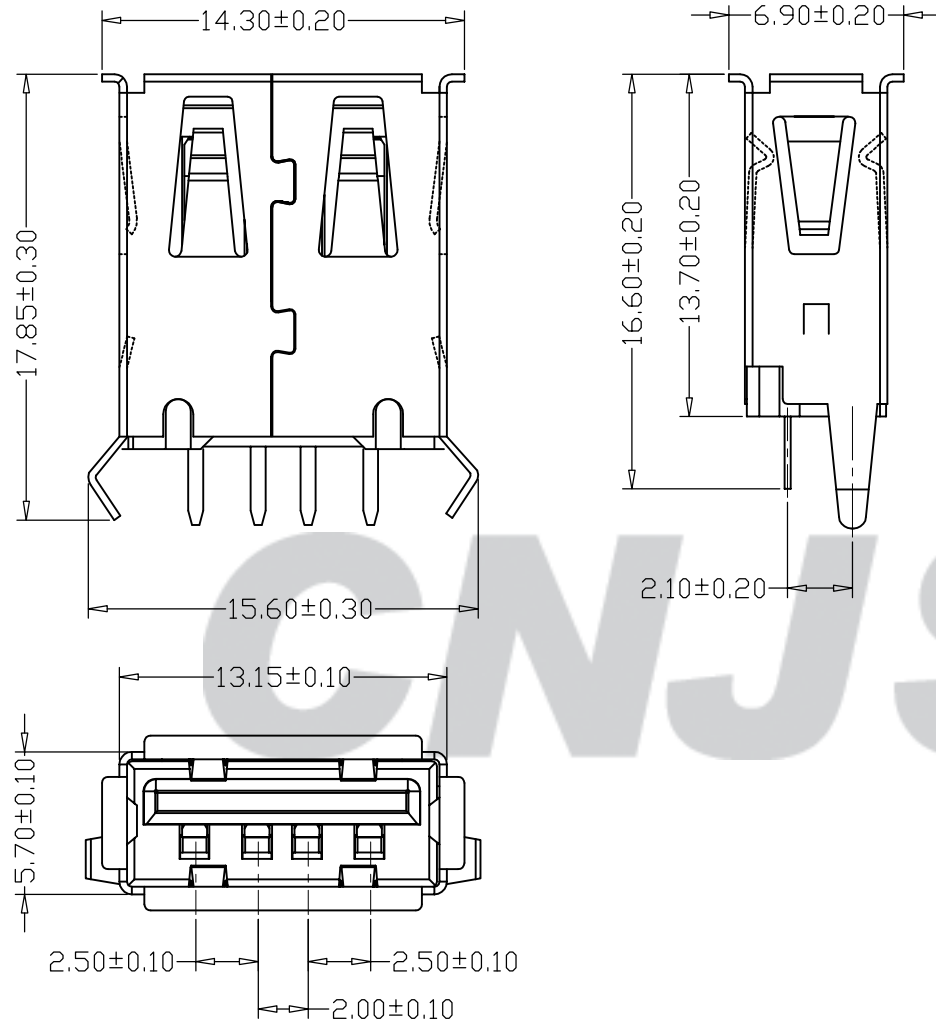


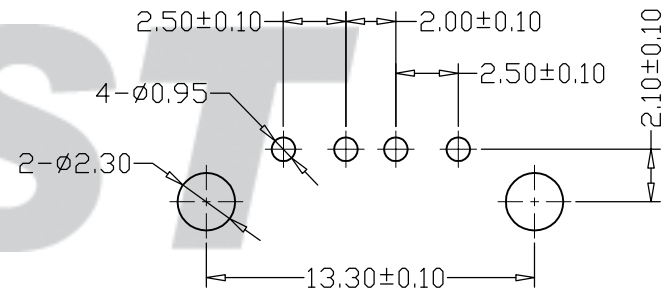
RoHS Compliant

成品图



SPECIFICATION

- Contact resistance: $\leq 30m\Omega$
- Insulation resistance: $\geq 1000M\Omega$
- Rated voltage: 30 V AC DC
- Rated current: 1.5 A AC DC
- Withstand Voltage: 500V AC/minute
- Temperature Range: $-25^{\circ}C \sim +85^{\circ}C$
- Insertion Force: 4.0kg MAX
- Unmating Force: 0.7kg MIN



SUGGESTED PCB LAYOUT
(COMPONENT SIDE)

B/0	2016.04.12	NEW RELEASE	
REV.	DATE	DESCRIPTION	APPD.

③	Solder Tab	1	SPCC	Ni-plated
②	Terminal	4	Phosphor Bronze	Gold-plated 0.8 μ m in Mating Area; Tin-plated on Solder Tails
①	Insulator	1	PBT (UL94V-0)	White
NO.	DESCRIPTION	QTY	MATERIAL	PLATING/COLOR

Tolerance	Model Name: USB	SCALE: FULL	REVISION: B/0
X.X ±0.30 X.XX ±0.20 X.XXX ±0.10 Angle ±3.0°	Model No: U2506M		
UNIT: mm	CNJST 浙江捷仕泰电子有限公司 ZHEJIANG JIESHITAI ELECTRONIC CO., LTD		

Drawn: 蔡忠忠 2016.04.12
Checked: 林旭芝
Approved: 刘祚杰
DWG NO. CNJST/GCCP-0049