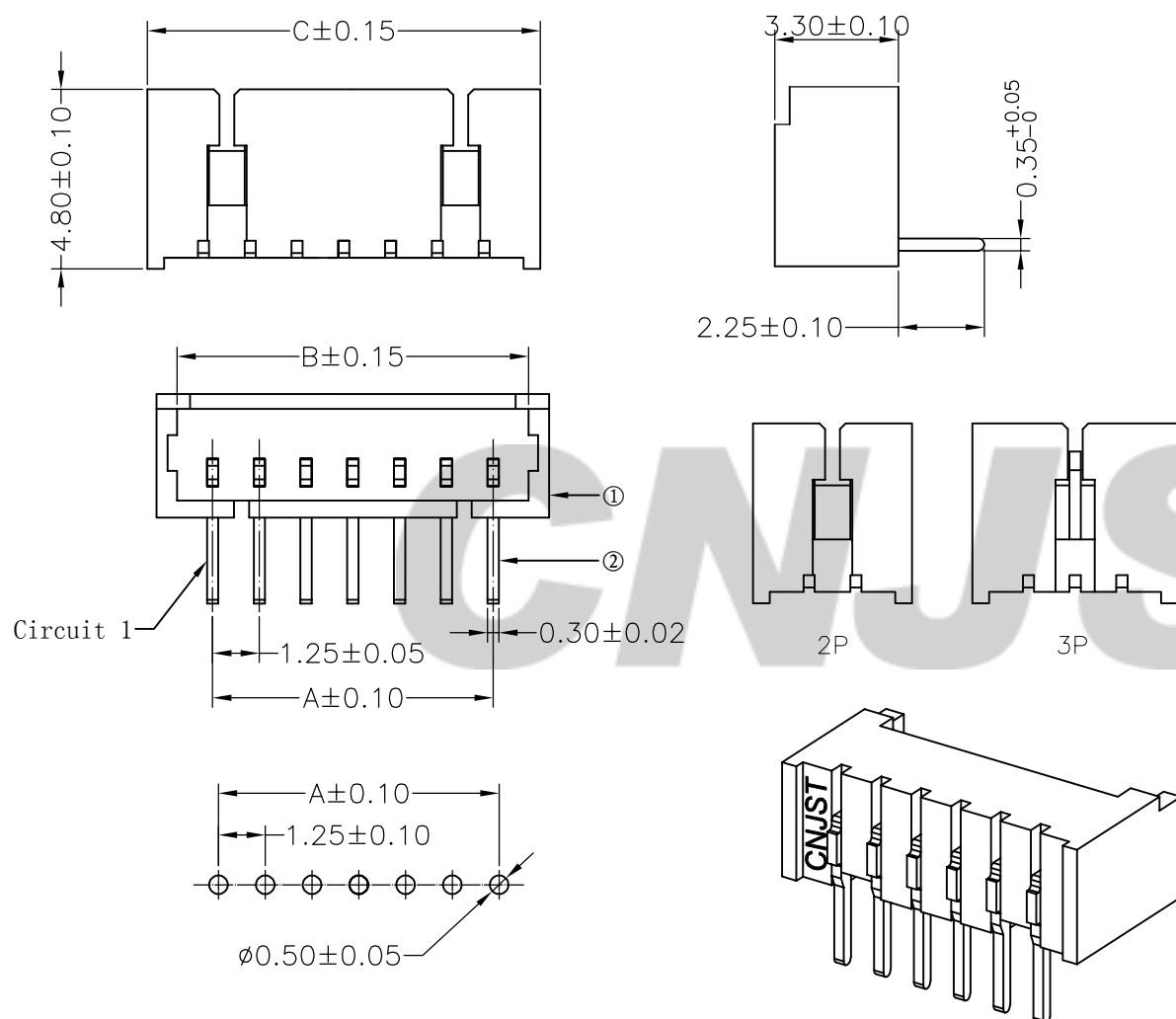


RoHS Compliant

成品图



SPECIFICATION

- 1 Contact resistance: $\leq 20m\Omega$
- 2 Insulation resistance: $\geq 100M\Omega$
- 3 Rated voltage: 125 V AC DC
- 4 Rated current: 1.0 A AC DC
- 5 Withstand Voltage: 250V AC/minute
- 6 Temperature Range: $-25^{\circ}C \sim +85^{\circ}C$

ORDER INFORMATION:

A1251AW--B1MA-A**

PART No. _____

No. OF CIRCUITS: _____

02~16

PLASTIC MATERIAL: _____

B1M=PA46 (Nature)

PACKAGING: A=TRAY

PLATING: A=Tin-plated

Circuits	Dimensions (mm)			Circuits	Dimensions (mm)		
	A	B	C		A	B	C
02	1.25	3.15	4.25	10	11.25	13.15	14.25
03	2.50	4.40	5.50	11	12.50	14.40	15.50
04	3.75	5.65	6.75	12	13.75	15.65	16.75
05	5.00	6.90	8.00	13	15.00	16.90	18.00
06	6.25	8.15	9.25	14	16.25	18.15	19.25
07	7.50	9.40	10.50	15	17.50	19.40	20.50
08	8.75	10.65	11.75	16	18.75	20.65	21.75
09	10.00	11.90	13.00				

SUGGESTED PCB LAYOUT
(COMPONENT SIDE)

REV.	DATE	DESCRIPTION	APPD.	NO.	DESCRIPTION	QTY	MATERIAL	PLATING/COLOR
B/0	2016.05.04	NEW RELEASE		②	Contacts	2~16	Phosphor Bronze	Tin-plated 3~5um
				①	Insulator	1	PA46 (UL94V-0)	Beige

Tolerance
X.X ± 0.30
X.XX ± 0.20
X.XXX ± 0.10
Angle $\pm 3.0^{\circ}$

Model Name: 1.25mm PITCH 90° WAFER
Model No: A1251AW-**-B1MA-A

SCALE: FULL REVISION: B/0

UNIT: mm

CNJST 浙江捷仕泰电子有限公司
ZHEJIANG JIESHITAI ELECTRONIC CO., LTD

Drawn: 蔡忠忠 2016.05.04

Checked: 林旭芝

Approved: 刘祚杰

DWG NO. CNJST/GCCP-0027