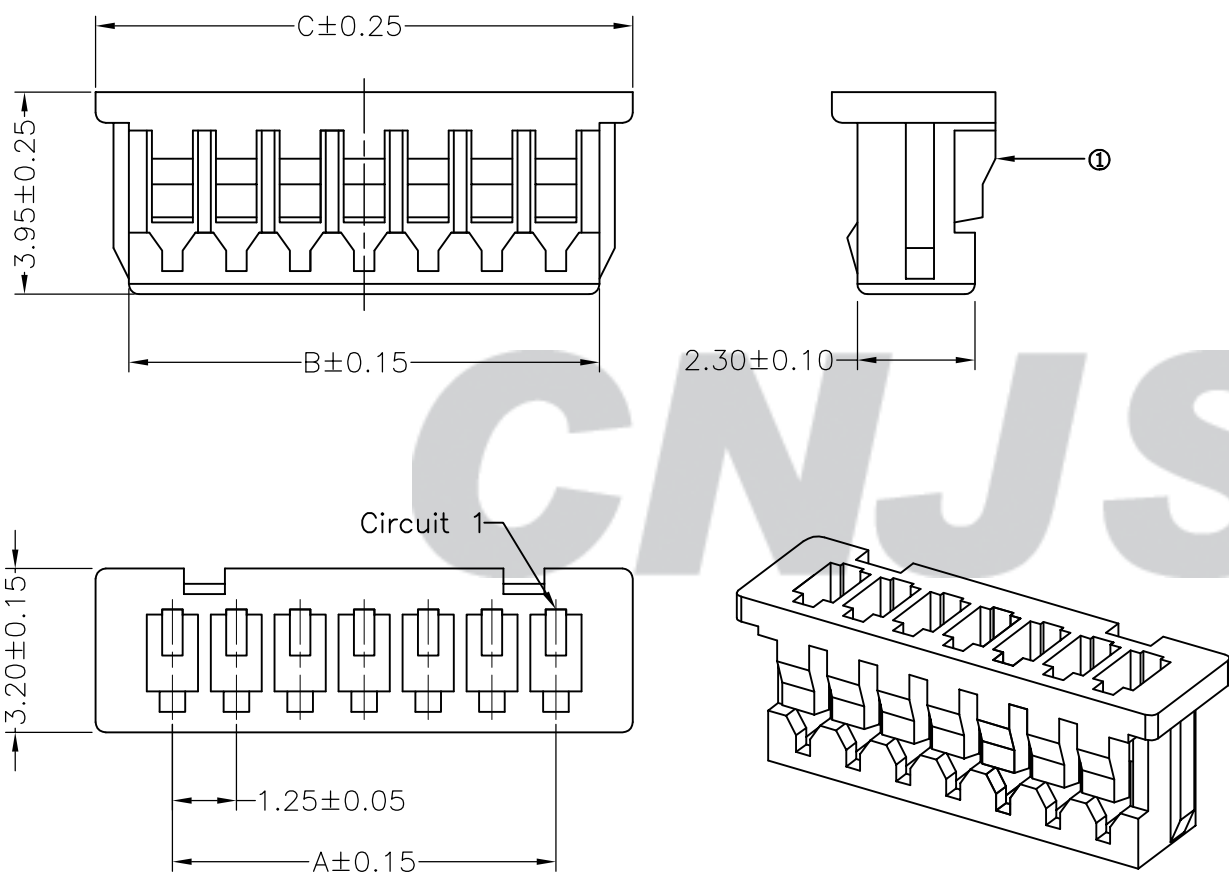


RoHS Compliant

成品图



SPECIFICATION

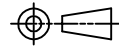
- Contact resistance: $\leq 20\text{m}\Omega$
- Insulation resistance: $\geq 100\text{M}\Omega$
- Rated voltage: 125 V AC DC
- Rated current: 1.0 A AC DC
- Withstand Voltage: 250V AC/minute
- Temperature Range: $-25^\circ\text{C} \sim +85^\circ\text{C}$

ORDER INFORMATION:

A1251Y--E1W-P**

PART No. _____ PACKAGING: P=PE
 No. OF CIRCUITS: _____ PLASTIC MATERIAL: E1W=PBT (WHITE)

Circuits	Dimensions		
	A	B	C
02	1.25	2.95	4.25
03	2.50	4.20	5.50
04	3.75	5.45	6.75
05	5.00	6.70	8.00
06	6.25	7.95	9.25
07	7.50	9.20	10.50
08	8.75	10.25	11.75
09	10.00	11.70	13.00
10	11.25	12.95	14.25
11	12.50	14.20	15.50
12	13.75	15.45	16.75
13	15.00	16.70	18.00
14	16.25	17.95	19.25
15	17.50	19.20	20.50
16	18.75	20.25	21.75

Tolerance X.X ± 0.30 X.XX ± 0.20 X.XXX ± 0.10 Angle $\pm 3.0^\circ$	Model Name: 1.25mm PITCH HOUSING		Drawn: 蔡忠忠 2016.05.04 Checked: 林旭芝 Approved: 刘祚杰
	Model No: A1251Y-**-E1W-P		
	SCALE: FULL	REVISION: B/0	
UNIT: mm	CNJST 浙江捷仕泰电子有限公司 ZHEJIANG JIESHITAI ELECTRONIC CO., LTD		DWG NO. CNJST/GCCP-0028

REV.		DATE		DESCRIPTION		APPD.		NO.		DESCRIPTION		QTY		MATERIAL		PLATING/COLOR	
B/0		2016.05.04		NEW RELEASE				①		Insulator		1		PBT (UL94V-0)		White	