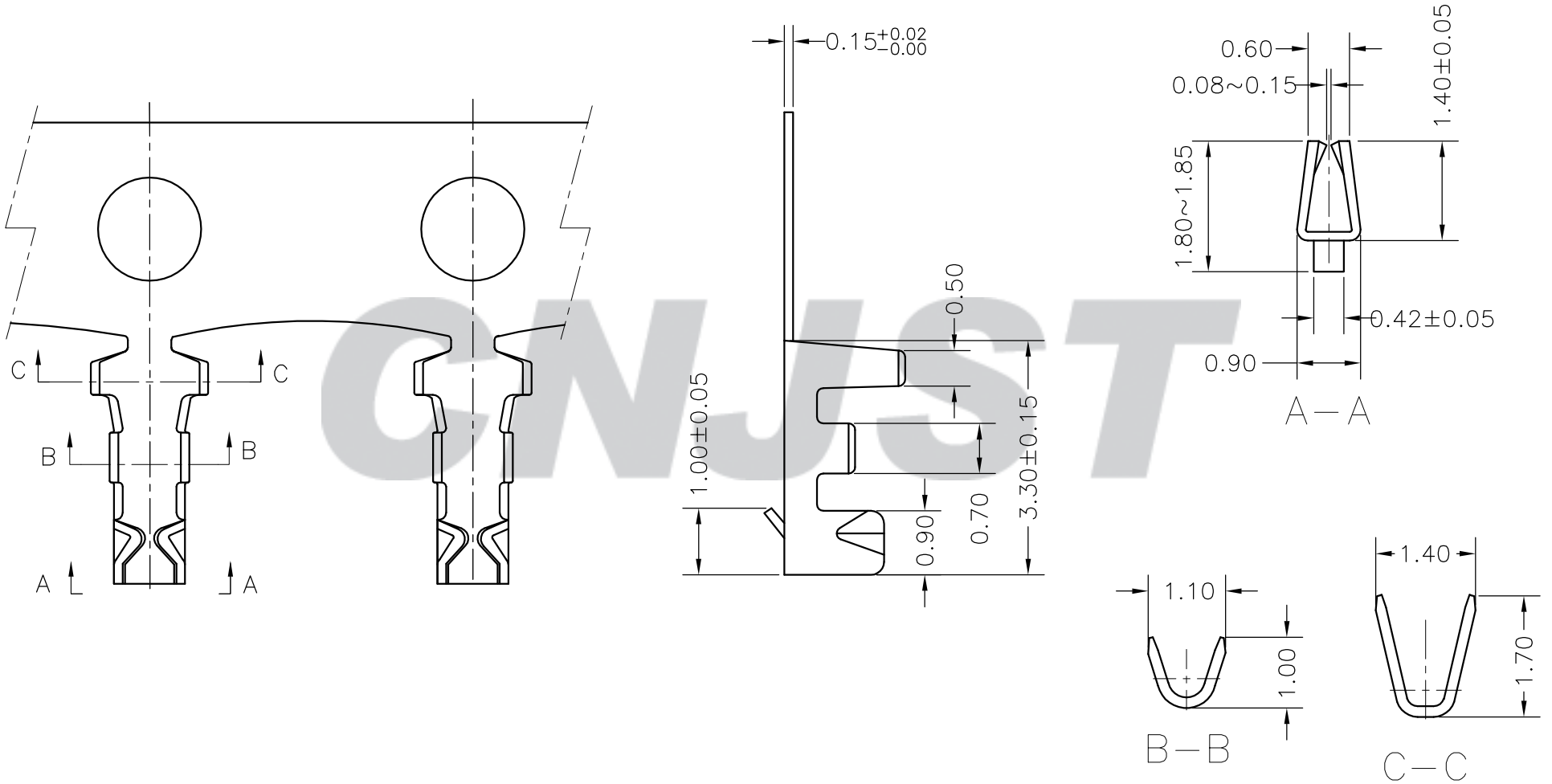
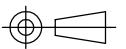


RoHS Compliant

端子图



REV.	DATE	DESCRIPTION	APPD.	Wire Range	Insulation O.D.	QTY/Reel	Material	Plating
1	2013.01.01	NEW RELEASE		AWG #28~#32	1.00mm(max)	13,000Pcs	Phosphor Bronze	Tin-plated

Tolerance	Model Name: 1.25mm PITCH CRIMP TERMINAL	Drawn: 张育斌 2016.06.13
X.X ±0.30	Model No: A1251T-PA-Z	
X.XX ±0.20	SCALE: FULL REVISION: B/1	Checked: 林旭芝
X.XXX ±0.10		Approved: 刘祚杰
Angle ±3.0°		UNIT: mm CNJST 浙江捷仕泰电子有限公司 ZHEJIANG JIESHITAI ELECTRONIC CO., LTD