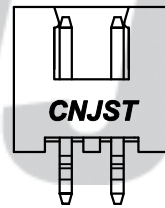
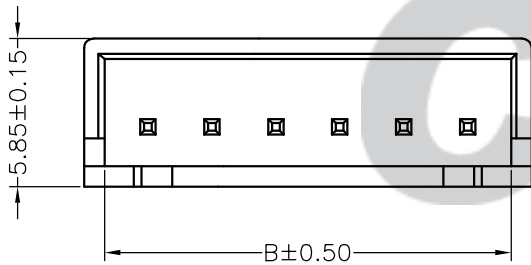
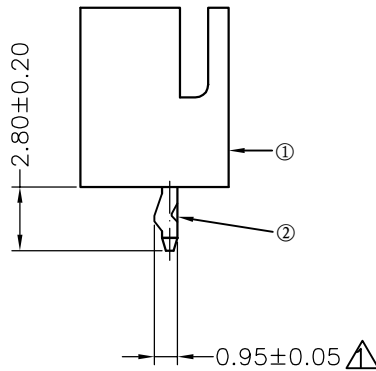
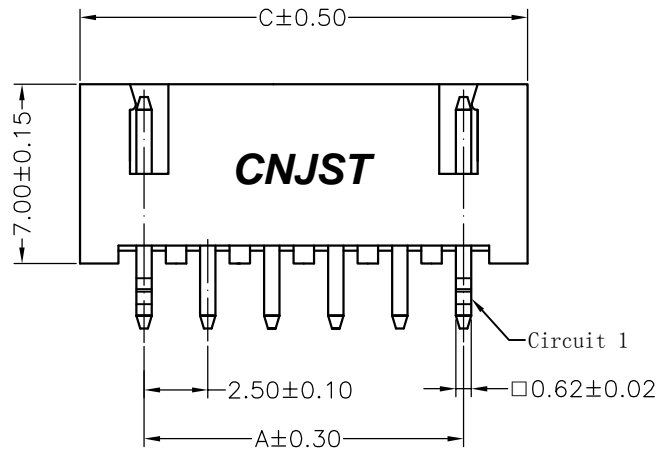
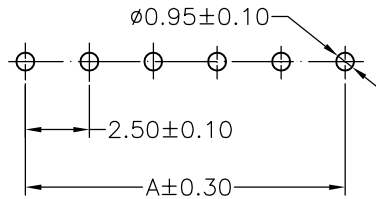


RoHS Compliant

成品图



2P



SUGGESTED PCB LAYOUT  
(COMPONENT SIDE)

SPECIFICATION

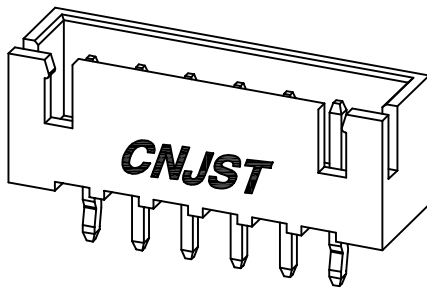
- 1 Contact resistance:  $\leq 20m\Omega$
- 2 Insulation resistance:  $\geq 1000M\Omega$
- 3 Rated voltage: 250 V AC DC
- 4 Rated current: 3.0 A AC DC
- 5 Withstand Voltage: 1000V AC/minute
- 6 Temperature Range:  $-25^{\circ}C \sim +85^{\circ}C$

ORDER INFORMATION:

**A2501A-\*\*\*-A1MA-P-D**

Part No.				
No. of Circuits:	02~18			PACKAGING: P=PE
PLASTIC MATERIAL:				PLATING: A=Tin-plated C=Gold-plated
A1M=PA66 (Nature)				
A2K=PA66 (BLACK)				
A3R=PA66 (RED)				
A4B=PA66 (BLUE)				
A5W=PA66 (WHITE)				

Circuits	Dimensions (mm)			Circuits	Dimensions (mm)		
	A	B	C		A	B	C
02	2.50	6.00	7.50	11	25.00	28.50	30.00
03	5.00	8.50	10.00	12	27.50	31.00	32.50
04	7.50	11.00	12.50	13	30.00	33.50	35.00
05	10.00	13.50	15.00	14	32.50	36.00	37.50
06	12.50	16.00	17.50	15	35.00	38.50	40.00
07	15.00	18.50	20.00	16	37.50	41.00	42.50
08	17.50	21.00	22.50	17	40.00	43.50	45.00
09	20.00	23.50	25.00	18	42.50	45.00	47.50
10	22.50	26.00	27.50				



Tolerance X.X ±0.30 X.XX ±0.20 X.XXX ±0.10 Angle ±3.0°	Model Name: 2.50mm PITCH 180° WAFER		Drawn: 蔡忠忠 2016.05.09
	Model No: A2501A-***-A1MA-P-D		
SCALE: FULL REVISION: B/0	浙江捷仕泰电子有限公司 ZHEJIANG JIESHITAI ELECTRONIC CO., LTD		Checked: 林旭芝
	UNIT: mm		Approved: 刘祚杰
			DWG NO. CNJST/GCCP-0070

REV.	DATE	DESCRIPTION	APPD.	NO.	DESCRIPTION	QTY	MATERIAL	PLATING/COLOR
B/O	2016.05.09	NEW RELEASE		②	Contacts	2~16	Brass	Tin-plated
				①	Insulator	1	PA66 (UL94V-0)	Nature