

RoHS Compliant

成品图

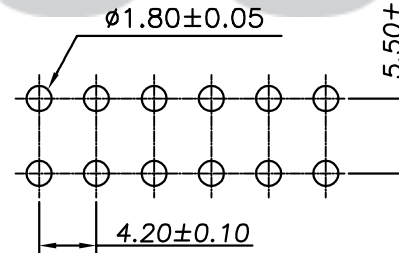
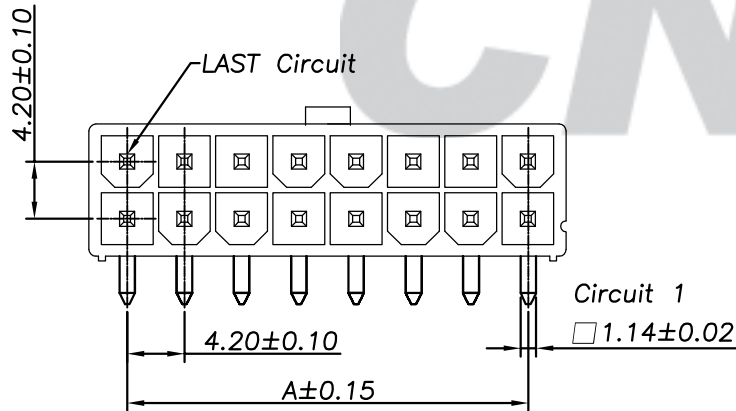
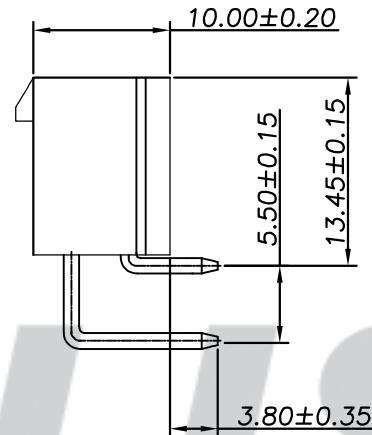
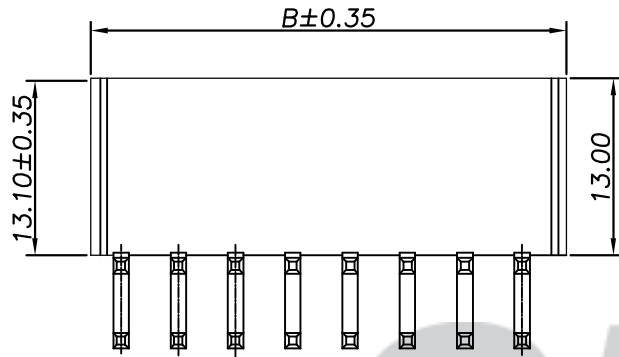
SPECIFICATION

- 1 Contact resistance: $\leq 15m\Omega$
- 2 Insulation resistance: $\geq 1000M\Omega$
- 3 Rated voltage: 300 V AC DC
- 4 Rated current: 9.0 A AC DC
- 5 Withstand Voltage: 1500V AC/minute
- 6 Temperature Range: $-25^{\circ}C \sim +85^{\circ}C$

ORDER INFORMATION:

A4201AW--A0TA-P**

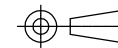
PART No.			
No. OF CIRCUITS:			PACKAGING:
201~212			P=PE
PLASTIC MATERIAL:			PLATING:
A0T=PA66 (TRANSPARENT)			A=Tin-Plated



Circuits	Dimensions	
	A	B
201(2*1)	---	5.40
202(2*2)	4.20	9.60
203(2*3)	8.40	13.80
204(2*4)	12.60	18.00
205(2*5)	16.80	22.20
206(2*6)	21.00	26.60
207(2*7)	25.20	30.60
208(2*8)	29.40	34.80
209(2*9)	33.60	39.00
210(2*10)	37.80	43.20
211(2*11)	42.00	47.40
212(2*12)	46.20	51.60

Tolerance	Model Name: 4.20mm pitch 90° WAFER-DIP TYPE	Drawn: 张育斌 2016.05.21
X.X ±0.30	Model No: A4201AW-**-A0TA-P	
X.XX ±0.20	SCALE: FULL REVISION: B/0	Checked: 林旭芝
X.XXX ±0.10		Approved: 刘祚杰
Angle ±3.0°	UNIT: mm	DWG NO. CNJST/GCCP-0321

B/0	2016.04.12	NEW RELEASE	
REV.	DATE	DESCRIPTION	APPD.
②	Contacts	02~24	Barss
①	Insulator	1	PA66 (UL94V-0)
NO.	DESCRIPTION	QTY	MATERIAL
			PLATING/COLOR



CNJST 浙江捷仕泰电子有限公司
ZHEJIANG JIESHITAI ELECTRONIC CO., LTD