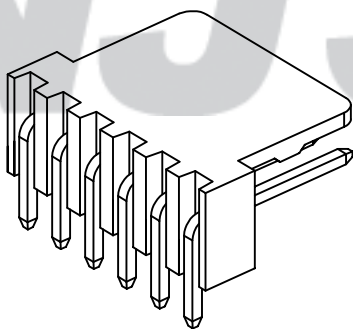
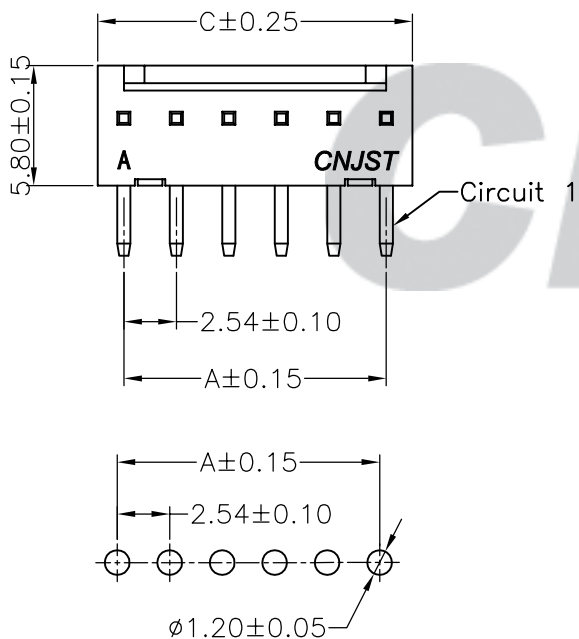
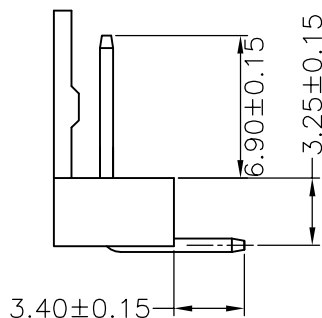
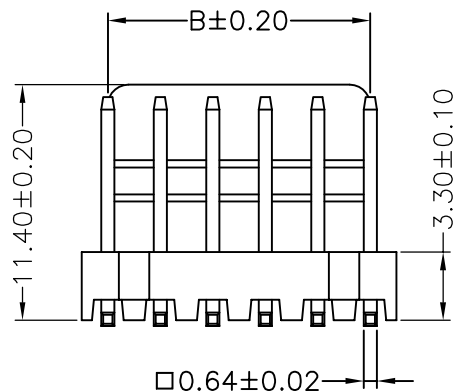


RoHS Compliant

成品图



SPECIFICATION

- 1 Contact resistance: $\leq 20m\Omega$
- 2 Insulation resistance: $\geq 1000M\Omega$
- 3 Rated voltage: 250 V AC DC
- 4 Rated current: 2.5 A AC DC
- 5 Withstand Voltage: 1500V AC/minute
- 6 Temperature Range: $-25^{\circ}C \sim +85^{\circ}C$

ORDER INFORMATION:

A2543AWQ--A5WA-P**

PART No. _____

No. OF CIRCUITS: _____

PLASTIC MATERIAL: _____

A5W=PA66 (WHITE)

PACKAGING: P=PE

PLATING: A=Tin-plated

Circuits	Dimensions (mm)			Circuits	Dimensions (mm)		
	A	B	C		A	B	C
02	2.54	2.54	5.08	12	27.94	27.94	30.48
03	5.08	5.08	7.62	13	30.84	30.84	33.02
04	7.62	7.62	10.16	14	33.02	33.02	35.56
05	10.16	10.16	12.70	15	35.56	35.56	38.10
06	12.70	12.70	15.24	16	38.10	38.10	40.64
07	15.24	15.24	17.78	17	40.64	40.64	43.18
08	17.78	17.78	20.32	18	43.18	43.18	45.72
09	30.32	30.32	22.86	19	45.72	45.72	48.26
10	22.86	22.86	25.40	20	48.26	48.26	50.80
11	25.40	25.40	27.94				

SUGGESTED PCB LAYOUT
(COMPONENT SIDE)

REV.	DATE	DESCRIPTION	APPD.	NO.	DESCRIPTION	QTY	MATERIAL	PLATING/COLOR
B/0	2016.05.18	NEW RELEASE		②	Contacts	2~20	Brass	Tin-plated
				①	Insulator	1	PA66 (UL94V-0)	White

Tolerance X.X ±0.30 X.XX ±0.20 X.XXX ±0.10 Angle ±3.0°	Model Name: 2.54mm PITCH 90° WAFER		Drawn: 蔡忠忠 2016.05.18
	Model No: A2543AWQ-**-A5WA-P		
UNIT: mm	SCALE: FULL	REVISION: B/0	Checked: 林旭芝
			Approved: 刘祚杰
CNJST 浙江捷仕泰电子有限公司 ZHEJIANG JIESHITAI ELECTRONIC CO., LTD			DWG NO. CNJST/GCCP-0154