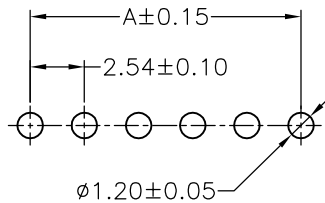
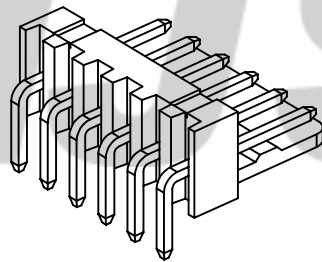
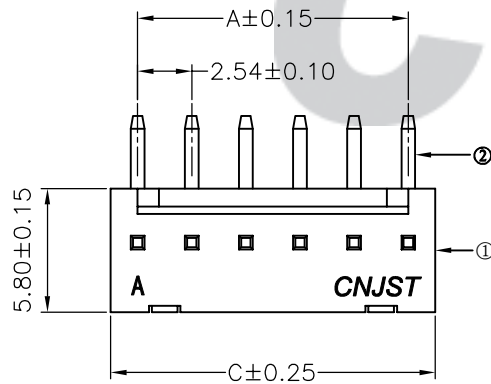
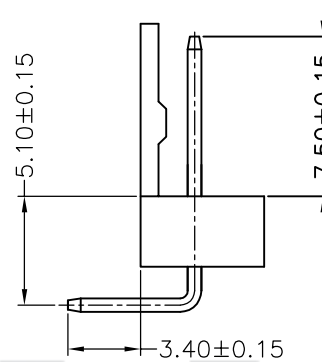
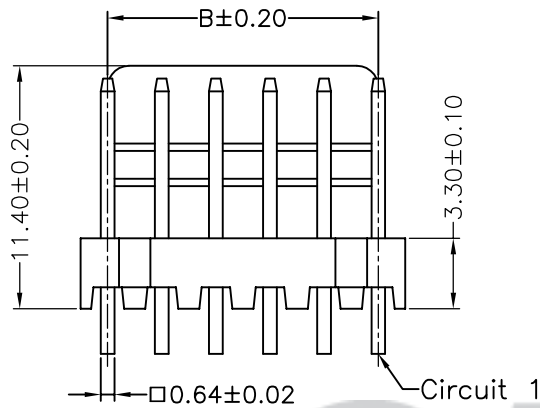


RoHS Compliant

成品图



SUGGESTED PCB LAYOUT
(COMPONENT SIDE)

SPECIFICATION

- 1 Contact resistance: $\leq 20m\Omega$
- 2 Insulation resistance: $\geq 1000M\Omega$
- 3 Rated voltage: 250 V AC DC
- 4 Rated current: 2.5 A AC DC
- 5 Withstand Voltage: 1500V AC/minute
- 6 Temperature Range: $-25^{\circ}C \sim +85^{\circ}C$

ORDER INFORMATION:

A2543AWGH--A5WA-P**

PART No. _____

No. OF CIRCUITS: _____
02~20

PLASTIC MATERIAL: _____
A5W=PA66 (WHITE)

PACKAGING:
P=PE

PLATING:
A=Tin-plated
C=Gold-plated

Circuits	Dimensions (mm)		
	A	B	C
02	2.54	2.54	5.08
03	5.08	5.08	7.62
04	7.62	7.62	10.16
05	10.16	10.16	12.70
06	12.70	12.70	15.24
07	15.24	15.24	17.78
08	17.78	17.78	20.32
09	20.32	20.32	22.86
10	22.86	22.86	25.40
11	25.40	25.40	27.94

Circuits	Dimensions (mm)		
	A	B	C
12	27.94	27.94	30.48
13	30.48	30.48	33.02
14	33.02	33.02	35.56
15	35.56	35.56	38.10
16	38.10	38.10	40.64
17	40.64	40.64	43.18
18	43.18	43.18	45.72
19	45.72	45.72	48.26
20	48.26	48.26	50.80

Tolerance X.X ±0.30 X.XX ±0.20 X.XXX ±0.10 Angle ±3.0°	Model Name: 2.54mm PITCH 90° WAFER		Drawn: 蔡忠忠 2016.05.24
	Model No: A2543AWGH-**-A5WA-P		
UNIT: mm	SCALE: FULL	REVISION: B/0	Checked: 林旭芝
	CNJST 浙江捷仕泰电子有限公司 ZHEJIANG JIESHITAI ELECTRONIC CO., LTD		Approved: 刘祚杰
			DWG NO. CNJST/GCCP-0193

REV.	DATE	DESCRIPTION	APPD.	NO.	DESCRIPTION	QTY	MATERIAL	PLATING/COLOR
B/0	2016.05.24	NEW RELEASE		②	Contacts	2~20	Brass	Tin-plated
				①	Insulator	1	PA66 (UL94V-0)	White