

RoHS Compliant

成品图

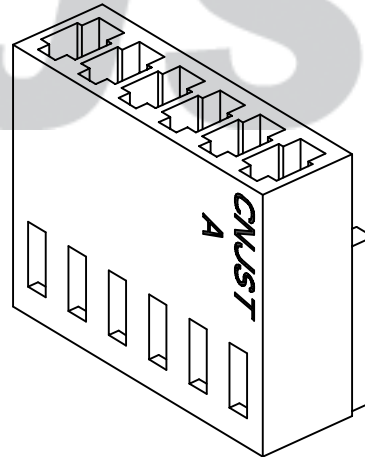
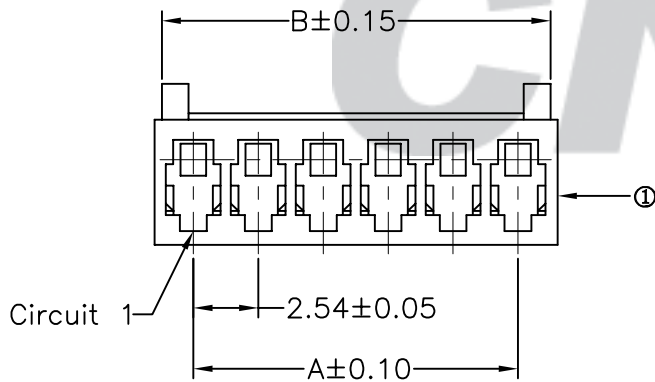
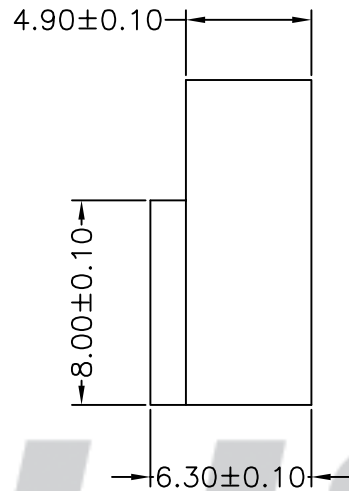
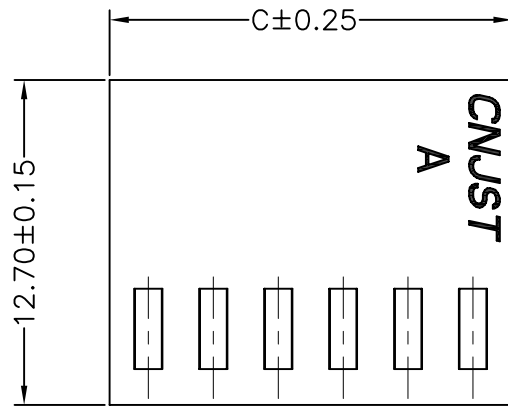
SPECIFICATION

- 1 Contact resistance: $\leq 20m\Omega$
- 2 Insulation resistance: $\geq 1000M\Omega$
- 3 Rated voltage: 250 V AC DC
- 4 Rated current: 2.5 A AC DC
- 5 Withstand Voltage: 1500V AC/minute
- 6 Temperature Range: $-25^{\circ}C \sim +85^{\circ}C$

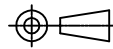
ORDER INFORMATION:

A2543Y--A6W-P**

PART No. _____ PACKAGING: P=PE
 No. OF CIRCUITS: _____ PLASTIC MATERIAL: A6W=PA66 (WHITE)
 02~20



Circuits	Dimensions (mm)		
	A	B	C
02	2.54	3.04	5.68
03	5.08	5.58	8.22
04	7.62	8.12	10.76
05	10.16	10.66	13.30
06	12.70	13.20	15.84
07	15.24	15.74	18.38
08	17.78	18.28	20.92
09	20.32	20.82	23.46
10	22.86	23.36	26.00
11	25.40	25.90	28.54
12	27.94	28.44	31.08
13	30.48	30.98	33.62
14	33.02	33.52	36.16
15	35.56	36.06	38.70
16	38.10	38.60	41.24
17	40.64	41.14	43.78
18	43.18	43.68	46.32
19	45.72	46.22	48.86
20	48.26	48.76	51.40

Tolerance X.X ±0.30 X.XX ±0.20 X.XXX ±0.10 Angle ±3.0°	Model Name: 2.54mm PITCH HOUSING		Drawn: 蔡忠忠 2016.05.10
	Model No: A2543Y-**-A6W-P		
UNIT: mm	SCALE: FULL	REVISION: B/0	Checked: 林旭芝
			Approved: 刘祚杰
CNJST 浙江捷仕泰电子有限公司 ZHEJIANG JIESHITAI ELECTRONIC CO., LTD			DWG NO. CNJST/GCCP-0094

REV.	DATE	DESCRIPTION	APPD.	NO.	DESCRIPTION	QTY	MATERIAL	PLATING/COLOR
B/0	2016.05.10	NEW RELEASE		①	Insulator	1	PA66 (UL94V-0)	White