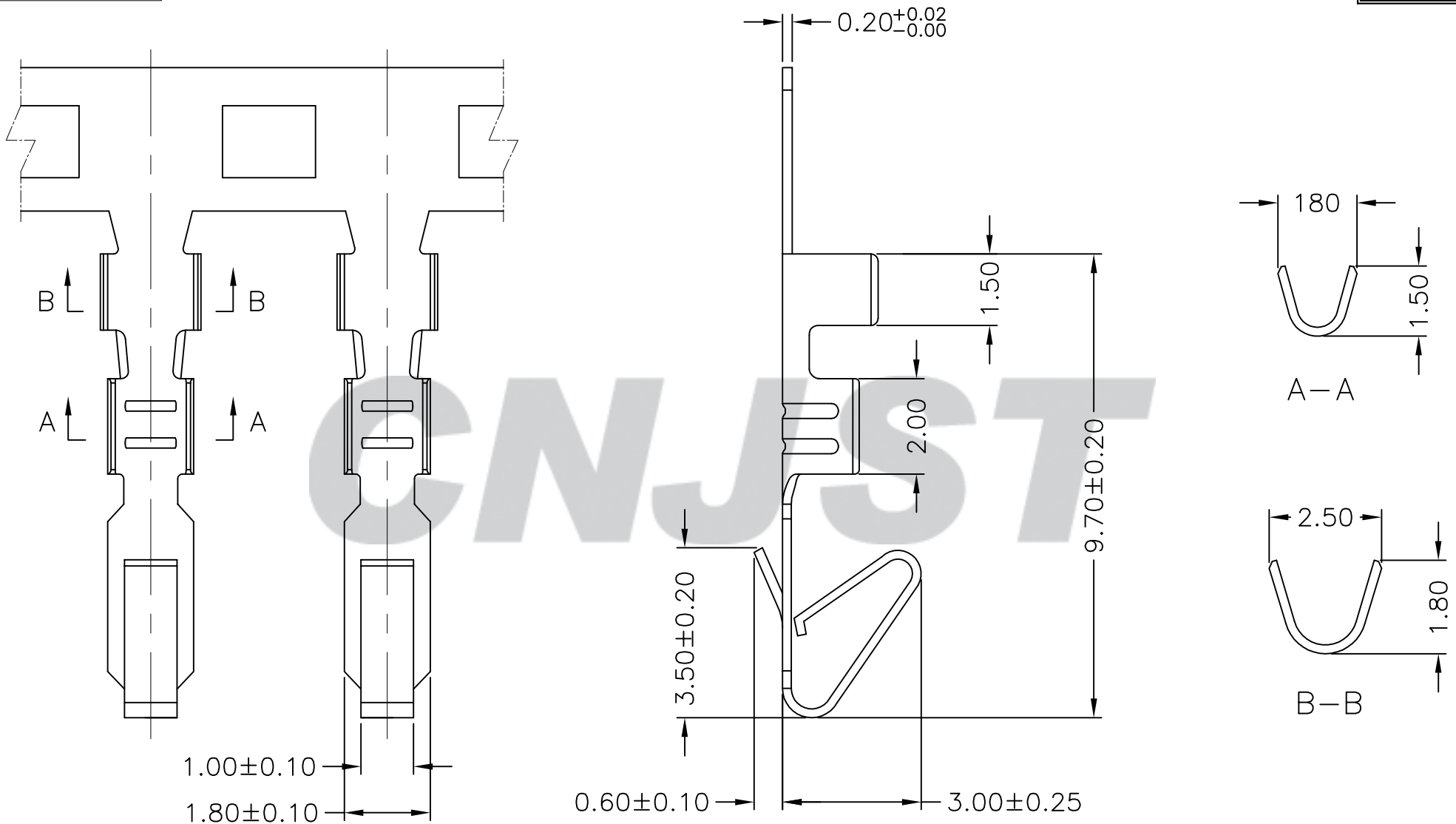
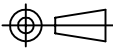



RoHS Compliant

端子图



Tolerance X.X ±0.30 X.XX ±0.20 X.XXX ±0.10 Angle ±3.0°	Model Name: 2.54mm PITCH CRIMP TERMINAL	Drawn: 张育斌 2016.06.13 Checked: 林旭芝 Approved: 刘祚杰 DWG NO. CNJST/GCDZ-0019
	Model No: A2543T-PA-Z	
UNIT: mm	 SCALE: FULL  REVISION: B/1	
	CNJST 浙江捷仕泰电子有限公司 ZHEJIANG JIESHITAI ELECTRONIC CO., LTD	

REV.	DATE	DESCRIPTION	APPD.	Wire Range	Insulation O.D.	QTY/Reel	Material	Plating
1	2013.01.01	NEW RELEASE		AWG #22~#30	1.60mm(max)	8,000Pcs	Phosphor Bronze	Tin-plated