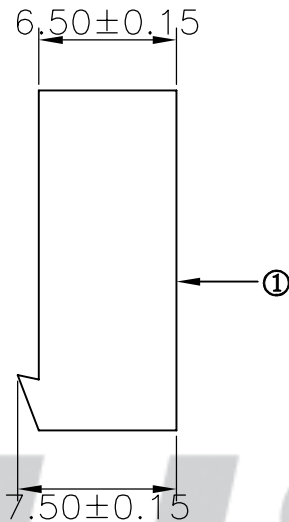
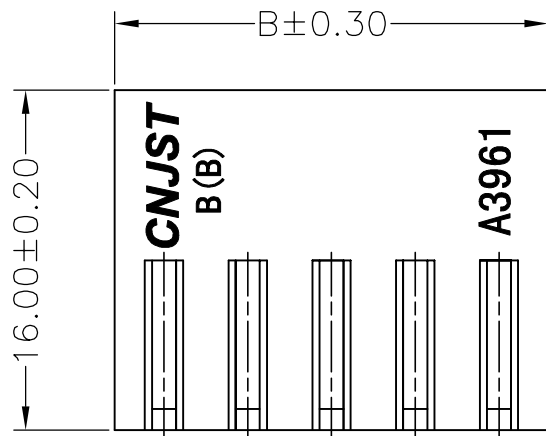


RoHS Compliant

成品图



SPECIFICATION

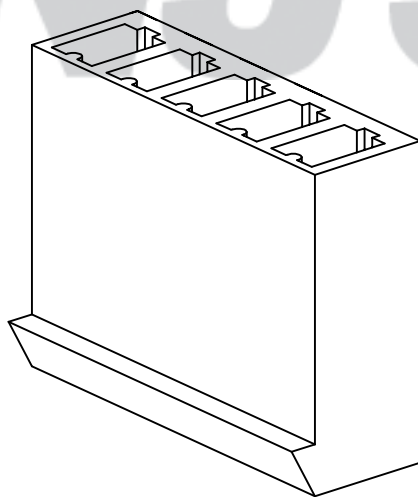
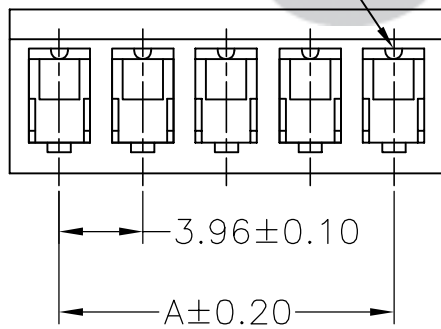
- 1 Contact resistance:  $\leq 10\text{m}\Omega$
- 2 Insulation resistance:  $\geq 1000\text{M}\Omega$
- 3 Rated voltage: 250 V AC DC
- 4 Rated current: 6.0 A AC DC
- 5 Withstand Voltage: 1500V AC/minute
- 6 Temperature Range:  $-25^{\circ}\text{C} \sim +85^{\circ}\text{C}$

ORDER INFORMATION:

**A3961Y-\*\*-A0T-P**

PART No.		PACKAGING: P=PE
No. OF CIRCUITS:		PLASTIC MATERIAL: A0T=PA66 (TRANSPARENT)
	02~11	

Circuit



Circuits	Dimensions (mm)		Circuits	Dimensions (mm)	
	A	B		A	B
02	3.96	8.72	07	23.76	28.52
03	7.92	12.68	08	27.72	32.48
04	11.88	16.64	09	31.68	36.44
05	15.84	20.60	10	35.64	40.40
06	19.80	24.56	11	39.60	44.36

Tolerance X.X ±0.30 X.XX ±0.20 X.XXX ±0.10 Angle ±3.0°	Model Name: 3.96mm PITCH HOUSING	SCALE: FULL	REVISION: B/0	Drawn: 蔡忠忠 2016.05.12
	Model No: A3961Y-**-A0T-P			Checked: 林旭芝
UNIT: mm	<b>CNJST</b> 浙江捷仕泰电子有限公司 ZHEJIANG JIESHITAI ELECTRONIC CO., LTD			Approved: 刘祚杰
				DWG NO. CNJST/GCCP-0108

REV.	DATE	DESCRIPTION	APPD.	NO.	DESCRIPTION	QTY	MATERIAL	PLATING/COLOR
B/0	2016.05.12	NEW RELEASE		①	Insulator	1	PA66 (UL94V-2)	Transparent