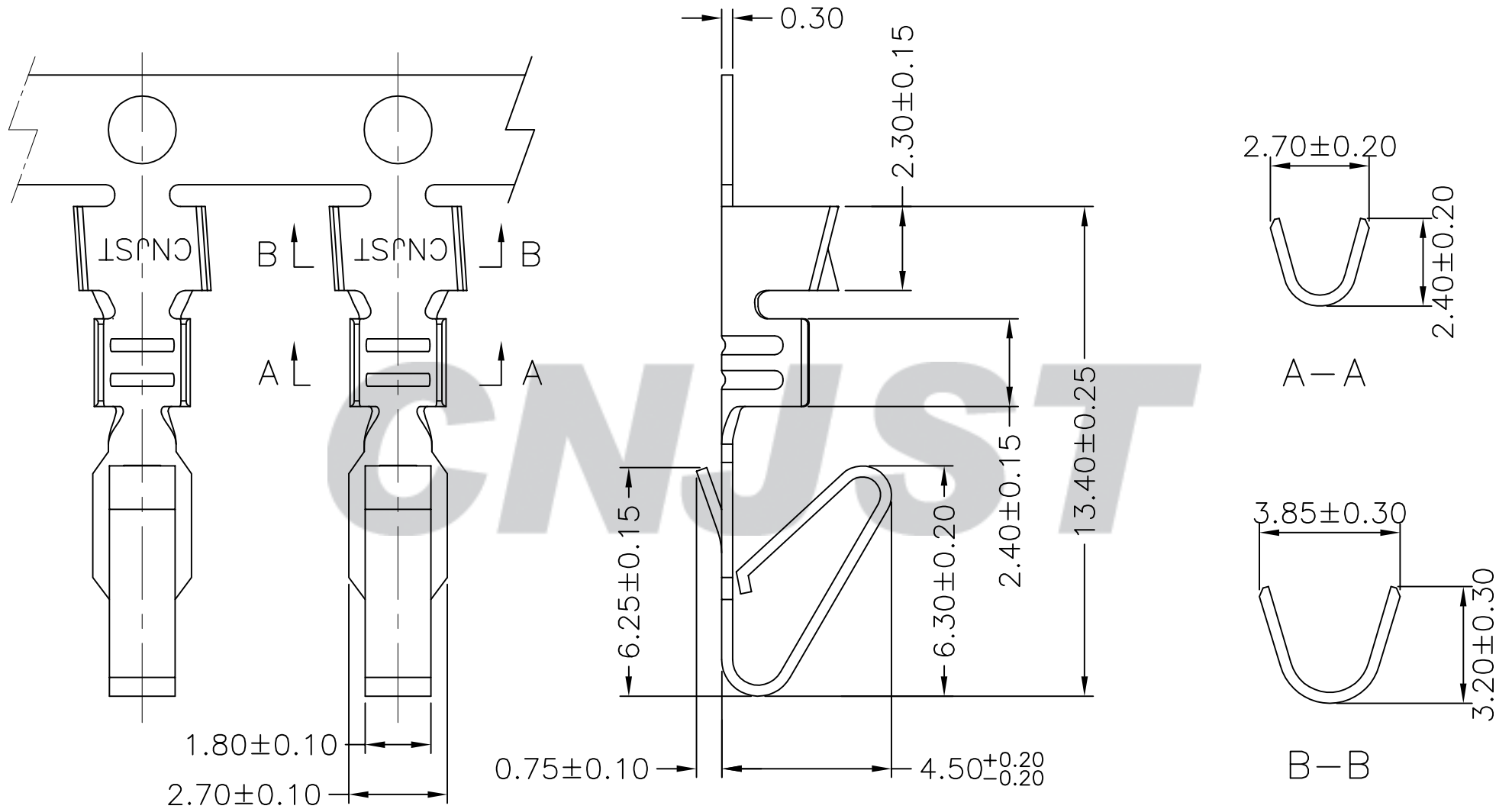
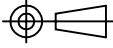


RoHS Compliant

端子图



Tolerance X.X ± 0.30 X.XX ± 0.20 X.XXX ± 0.10 Angle $\pm 3.0^\circ$	Model Name: 3.96mm PITCH CRIMP TERMINAL		Drawn: 张育斌 2016.06.13
	Model No: A3961T-PA-Z		
UNIT: mm	 SCALE: FULL REVISION: B/1	Checked: 林旭芝	
		Approved: 刘祚杰	
CNJST 浙江捷仕泰电子有限公司 ZHEJIANG JIESHITAI ELECTRONIC CO., LTD		DWG NO. CNJST/GCDZ-0049	

REV.	DATE	DESCRIPTION	APPD.	Wire Range	Insulation O.D.	QTY/Reel	Material	Plating
1	2013.01.01	NEW RELEASE		AWG #24~#18	2.80mm(max)	4,000Pcs	Phosphor Bronze	Tin-plated