

RoHS Compliant

成品图

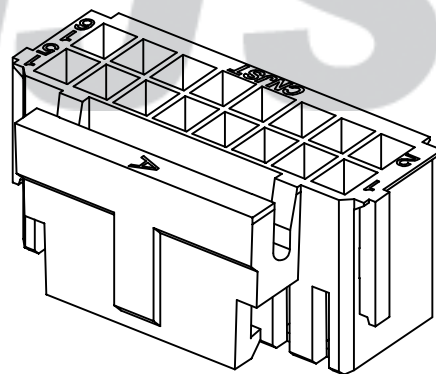
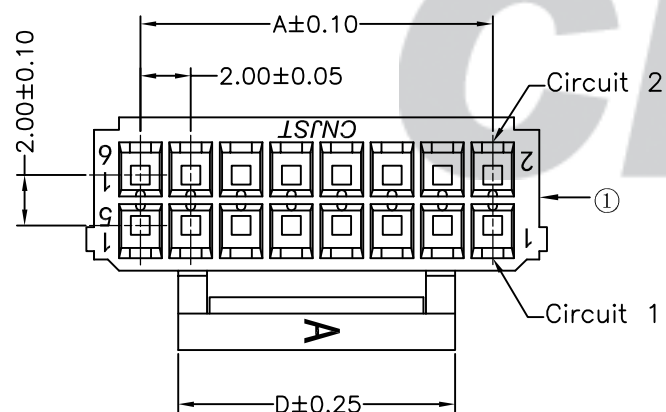
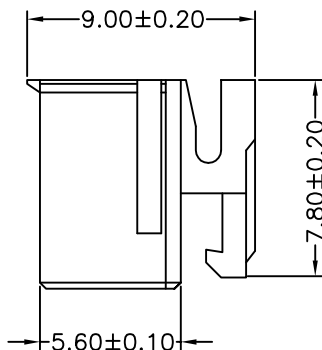
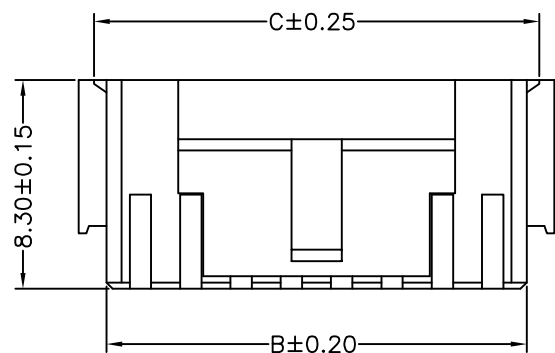
SPECIFICATION

- 1 Contact resistance: $\leq 30m\Omega$
- 2 Insulation resistance: $\geq 1000M\Omega$
- 3 Rated voltage: 250 V AC DC
- 4 Rated current: 3.0 A AC DC
- 5 Withstand Voltage: 1000V AC/minute
- 6 Temperature Range: $-25^{\circ}C \sim +85^{\circ}C$

ORDER INFORMATION:

A2009Y-*-A6W-P**

PART No. _____ PACKAGING: P=PE
 No. OF CIRCUITS: _____ PLASTIC MATERIAL: A6W=PA66 (WHITE)
 2X4~2X20



Circuits	Dimensions (mm)			
	A	B	C	D
204 (2X4)	6.00	8.70	9.70	4.80
205 (2X5)	8.00	10.70	11.70	4.80
206 (2X6)	10.00	12.70	13.70	4.80
207 (2X7)	12.00	14.70	15.70	4.80
208 (2X8)	14.00	16.70	17.70	11.00
209 (2X9)	16.00	18.70	19.70	11.00
210 (2X10)	18.00	20.70	21.70	11.00
211 (2X11)	20.00	22.70	23.70	11.00
212 (2X12)	22.00	24.70	25.70	11.00
213 (2X13)	24.00	26.70	27.70	11.00
214 (2X14)	26.00	28.70	29.70	16.20
215 (2X15)	28.00	30.70	31.70	16.20
216 (2X16)	30.00	32.70	33.70	16.20
217 (2X17)	32.00	34.70	35.70	16.20
218 (2X18)	34.00	36.70	37.70	16.20
219 (2X19)	36.00	38.70	39.70	16.20
220 (2X20)	38.00	40.70	41.70	16.20

Tolerance X.X ±0.30 X.XX ±0.20 X.XXX ±0.10 Angle ±3.0°	Model Name: 2.00mm pitch Housing	SCALE: FULL REVISION: B/0	Drawn: 张育斌 2016.06.12
	Model No: A2009Y-***-A6W-P		Checked: 林旭芝
UNIT: mm	CNJST 浙江捷仕泰电子有限公司 ZHEJIANG JIESHITAI ELECTRONIC CO., LTD		Approved: 刘祚杰
			DWG NO. CNJST/GCCP-0207

B/0	2016.06.12	NEW RELEASE		①	Insulator	1	PA66 (UL94V-0)	White
REV.	DATE	DESCRIPTION	APPD.	NO.	DESCRIPTION	QTY	MATERIAL	PLATING/COLOR