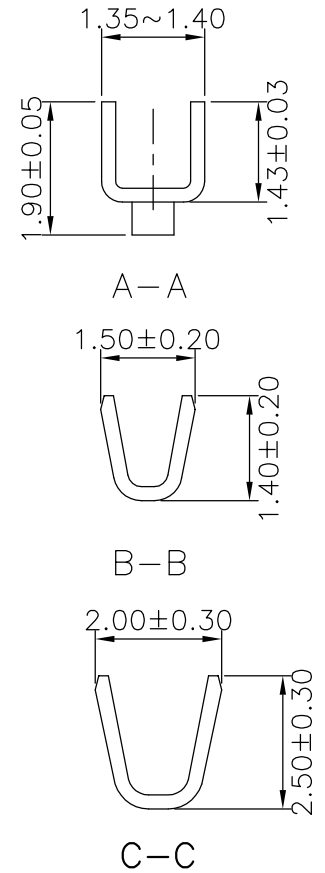
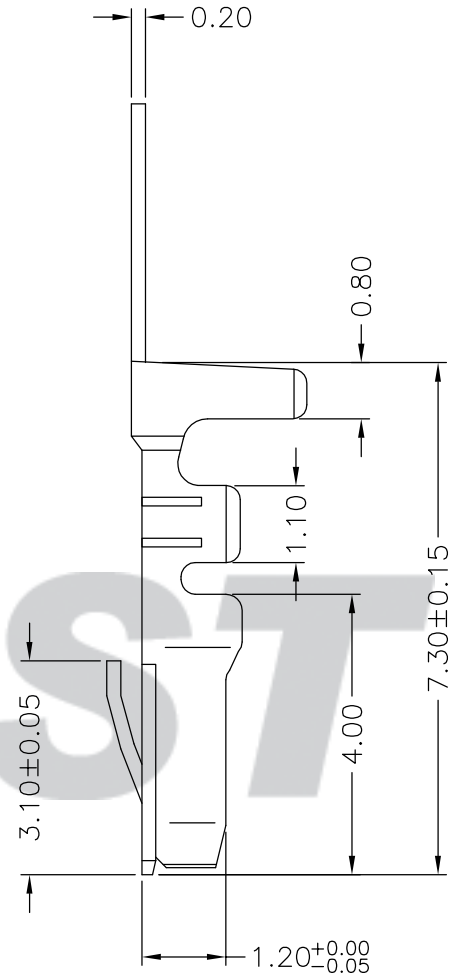
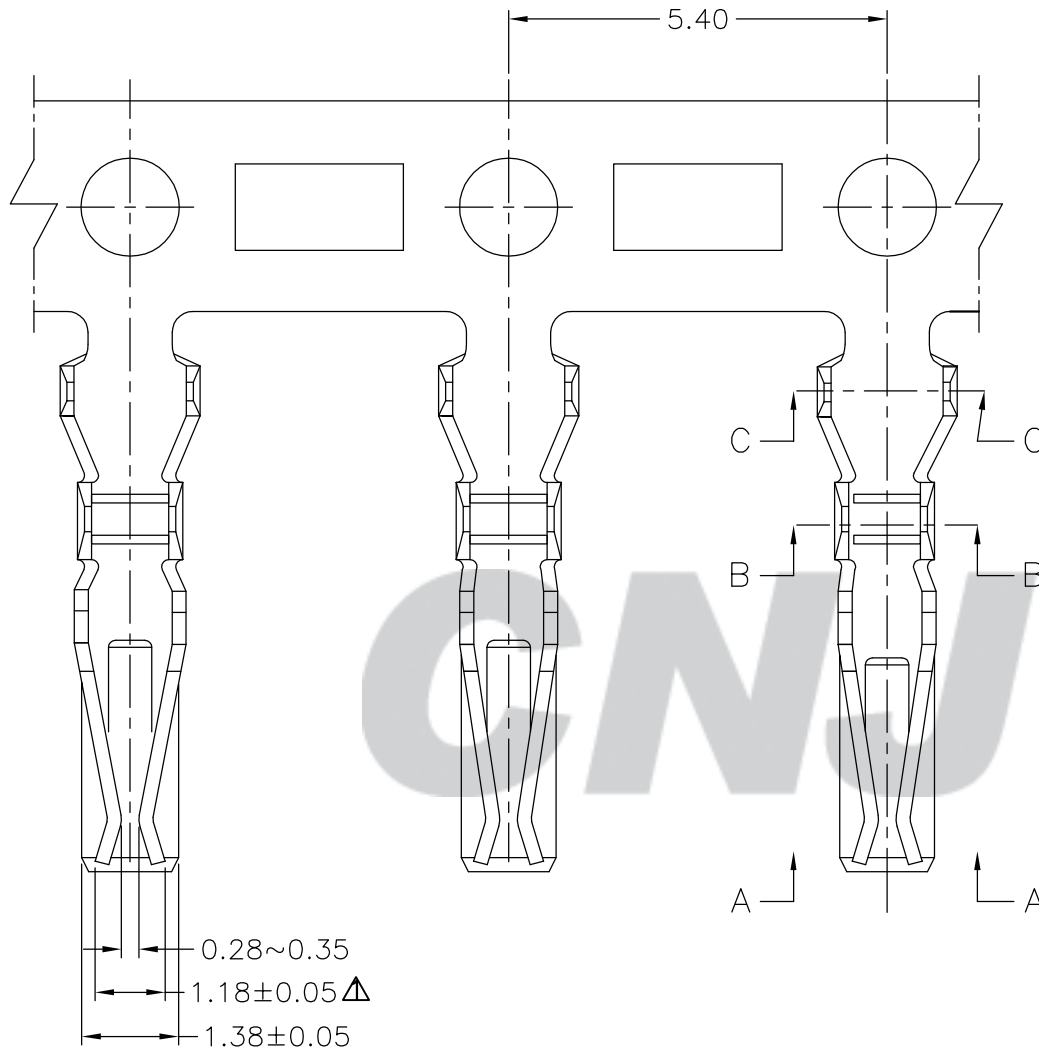


RoHS Compliant

端子图



△	2016.04.02	增加尺寸管控	林旭芝160402
	2013.01.01	NEW RELEASE	
REV.	DATE	DESCRIPTION	APPD.

AWG #22~#28	1.60mm(max)	12,000Pcs	Phosphor Bronze	Tin-plated
Wire Range	Insulation O.D.	QTY/Reel	Material	Plating

Tolerance	Model Name: 2.00mm PITCH CRIMP TERMINAL
X.X ±0.30	Model No: A2009T-PA-Z
X.XX ±0.20	
X.XXX ±0.10	
Angle ±3.0°	

	SCALE: FULL	REVISION: B/1
--	-------------	---------------

Drawn: 林旭芝 2016.04.02  
Checked: 林旭芝  
Approved: 刘祚杰

UNIT: mm	<b>CNJST</b> 浙江捷仕泰电子有限公司 ZHEJIANG JIESHITAI ELECTRONIC CO., LTD	DWG NO. CNJST/GCDZ-0038
----------	--	-------------------------