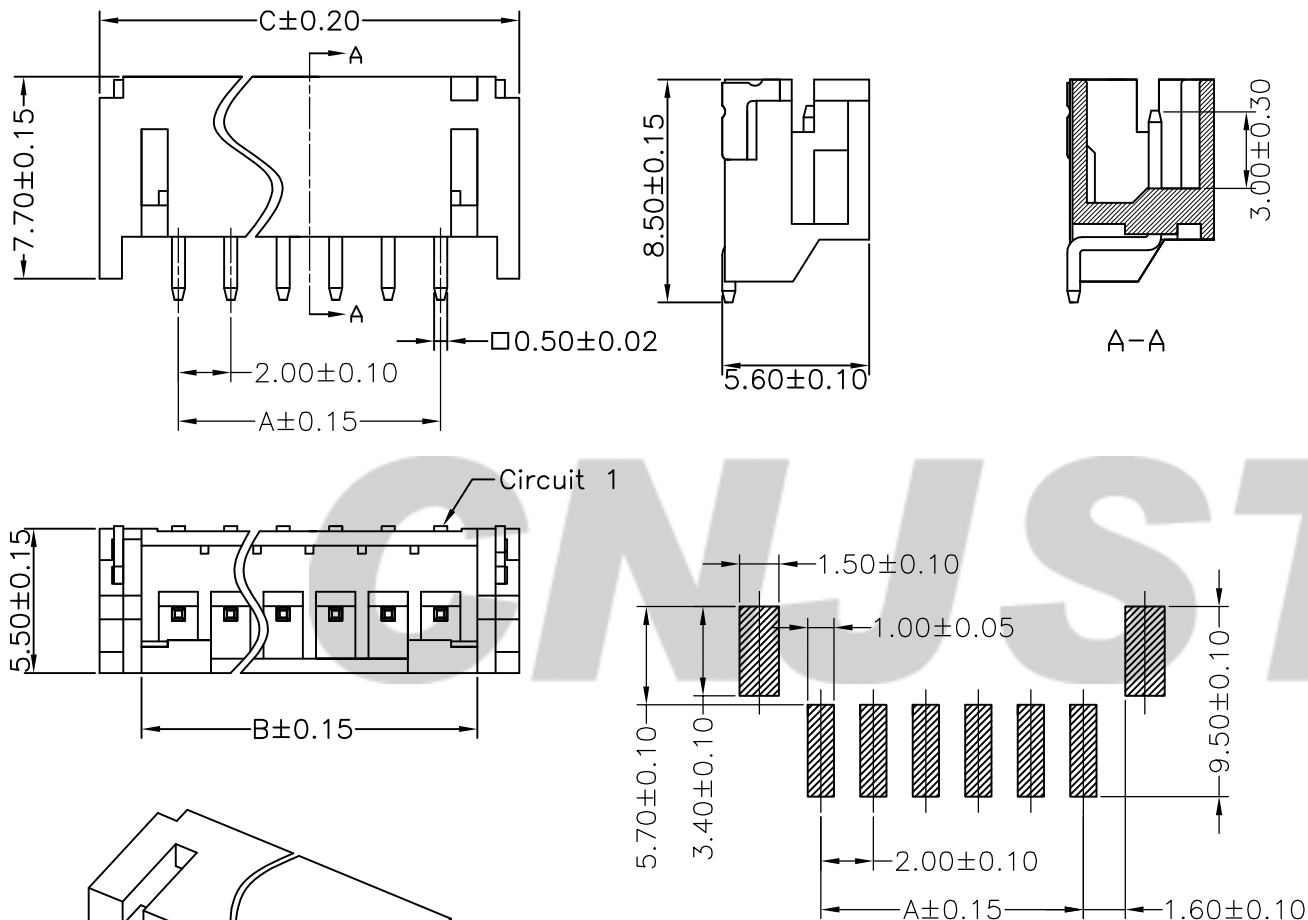


RoHS Compliant

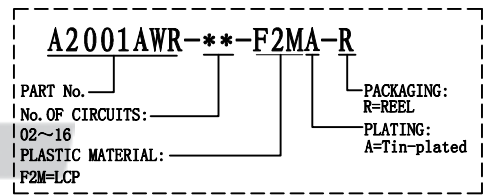
成品图



SPECIFICATION

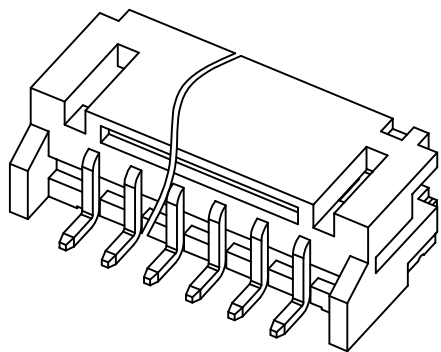
- 1 Contact resistance: $\leq 10m\Omega$
- 2 Insulation resistance: $\geq 1000M\Omega$
- 3 Rated voltage: 100 V AC DC
- 4 Rated current: 2.0 A AC DC
- 5 Withstand Voltage: 800V AC/minute
- 6 Temperature Range: $-40^{\circ}C \sim +105^{\circ}C$

ORDER INFORMATION:



Circuits	Dimensions (mm)		
	A	B	C
02	2.00	4.80	8.00
03	4.00	6.80	10.00
04	6.00	8.80	12.00
05	8.00	10.80	14.00
06	10.00	12.80	16.00
07	12.00	14.80	18.00
08	14.00	16.80	20.00
09	16.00	18.80	22.00
10	18.00	20.80	24.00
11	20.00	22.80	26.00
12	22.00	24.80	28.00
13	24.00	26.80	30.00
14	26.00	28.80	32.00
15	28.00	30.80	34.00
16	30.00	32.80	36.00

SUGGESTED PCB LAYOUT
(COMPONENT SIDE)



REV.	DATE	DESCRIPTION	APPD.
B/0	2016.05.04	NEW RELEASE	

NO.	DESCRIPTION	QTY	MATERIAL	PLATING/COLOR
③	Solder Tab	2	Brass	Tin-plated
②	Contacts	2~16	Brass	Tin-plated
①	Insulator	1	LCP (UL94V-0)	Nature

Tolerance X.X ±0.30 X.XX ±0.20 X.XXX ±0.10 Angle ±3.0°	Model Name: 2.00mm PITCH 90° WAFER-SMT TYPE Model No: A2001AWR-**-F2MA-R	SCALE: FULL REVISION: B/0
UNIT: mm	CNJST 浙江捷仕泰电子有限公司 ZHEJIANG JIESHITAI ELECTRONIC CO., LTD	

Drawn: 蔡忠忠 2016.05.04
Checked: 林旭芝
Approved: 刘祚杰
DWG NO. CNJST/GCCP-0048