

RoHS Compliant

成品图

SPECIFICATION

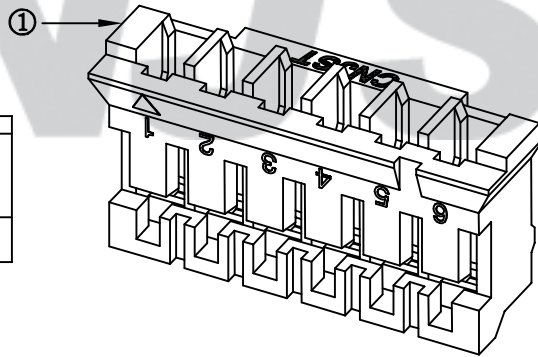
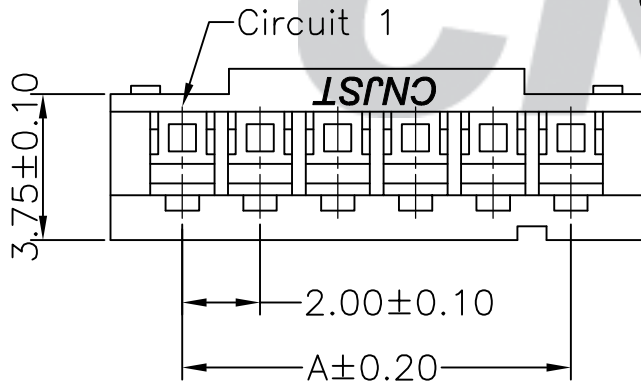
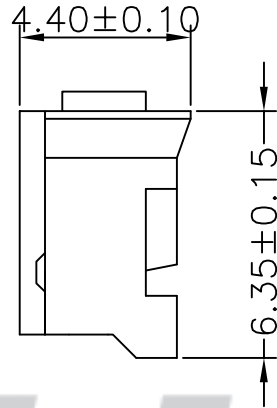
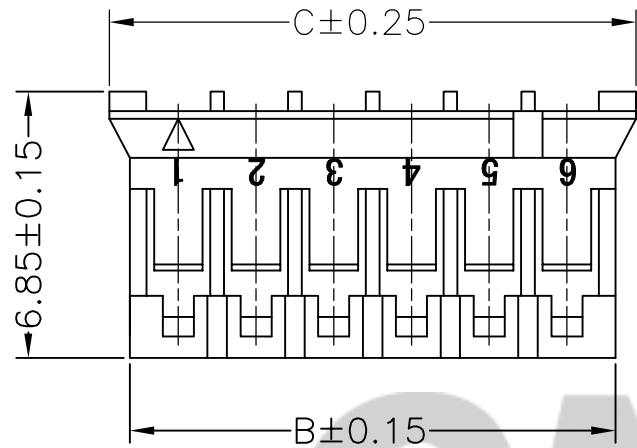
- 1 Contact resistance: $\leq 10m\Omega$
- 2 Insulation resistance: $\geq 1000M\Omega$
- 3 Rated voltage: 100 V AC DC
- 4 Rated current: 2.0 A AC DC
- 5 Withstand Voltage: 800V AC/minute
- 6 Temperature Range: $-25^{\circ}C \sim +85^{\circ}C$

ORDER INFORMATION:

A2001Y-*-A6W-P**

PART No. _____
 No. OF CIRCUITS: _____
 02~16

PACKAGING:
 P=PE
 PLASTIC MATERIAL:
 A6W=PA66 (WHITE)



Circuits	Dimensions (mm)		
	A	B	C
02	2.00	4.50	5.70
03	4.00	6.50	7.70
04	6.00	8.50	9.70
05	8.00	10.50	11.70
06	10.00	12.50	13.70
07	12.00	14.50	15.70
08	14.00	16.50	17.70
09	16.00	18.50	19.70
10	18.00	20.50	21.70
11	20.00	22.50	23.70
12	22.00	24.50	25.70
13	24.00	26.50	27.70
14	26.00	28.50	29.70
15	28.00	30.50	31.70
16	30.00	32.50	33.70

Tolerance X.X ±0.30 X.XX ±0.20 X.XXX ±0.10 Angle ±3.0°	Model Name: 2.00mm PITCH HOUSING		Drawn: 蔡忠忠 2016.05.04
	Model No: A2001Y-***-A6W-P		
UNIT: mm	SCALE: FULL	REVISION: B/0	Checked: 林旭芝
	CNJST 浙江捷仕泰电子有限公司 ZHEJIANG JIESHITAI ELECTRONIC CO., LTD		Approved: 刘祚杰
			DWG NO. CNJST/GCCP-0051

REV.	DATE	DESCRIPTION	APPD.	NO.	DESCRIPTION	QTY	MATERIAL	PLATING/COLOR
B/0	2016.05.04	NEW RELEASE		①	Insulator	1	PA66 (UL94V-0)	White