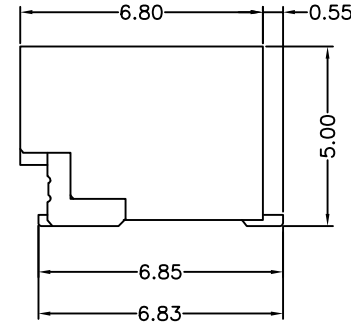
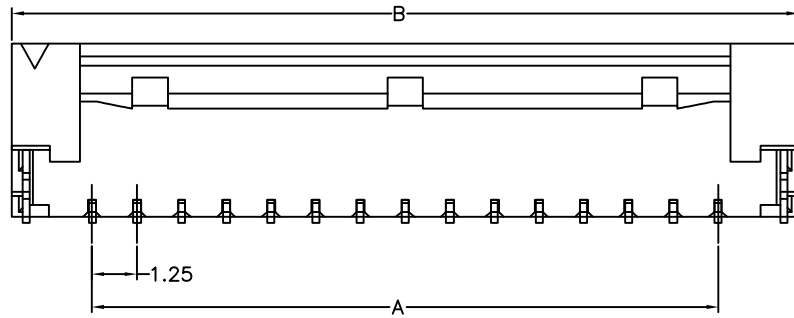


RoHS Compliant

成品图



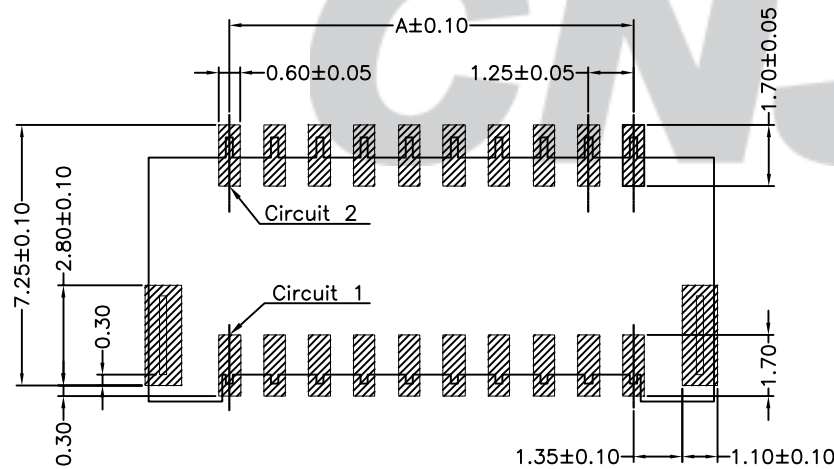
SPECIFICATION

- 1 Contact resistance: $\leq 30m\Omega$
- 2 Insulation resistance: $\geq 100M\Omega$
- 3 Rated voltage: 50 V AC DC
- 4 Rated current: 1 A AC DC
- 5 Withstand Voltage: 500V AC/minute
- 6 Temperature Range: $-25^{\circ}C \sim +85^{\circ}C$

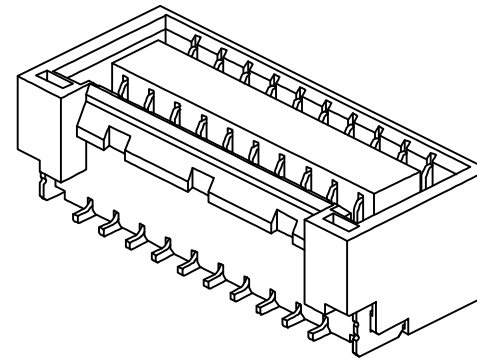
ORDER INFORMATION:

A1258AWV-*-F2MA-R-X**

PART No.		SPECIAL CODE:
No. OF CIRCUITS:	210~220	X=CAP
PLASTIC MATERIAL:	F2M=LCP (Nature)	M=MYLAR
		PACKAGING:
		R=REEL
		G=TUBE
		PLATING:
		A=Tin-Plated



PCB LAYOUT



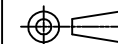
Circuit	Dimensions (mm)	
	A	B
210	11.25	15.75
211	12.50	17.00
215	17.75	22.00
220	23.75	28.25

REV.	DATE	DESCRIPTION	APPD.
B/0	2016.04.12	NEW RELEASE	

NO.	DESCRIPTION	QTY	MATERIAL	PLATING/COLOR
④	Cap	1	LCP (UL94V-0)	Beiger
③	Solder Tabs	2	Phosphor Bronze	Tin-plated
②	Contacts	20~30	Phosphor Bronze	Tin-plated
①	Insulator	1	LCP (UL94V-0)	Nature

Tolerance	X.X ±0.30
	X.XX ±0.20
	X.XXX ±0.10
	Angle ±3.0°

Model Name: 1.25mm pitch 180° WAFER-SMT TYPE
 Model No: A1258AWV-***-F2MA-R-X



SCALE: FULL

REVISION: B/0

UNIT: mm

CNJST 浙江捷仕泰电子有限公司
 ZHEJIANG JIESHITAI ELECTRONIC CO., LTD

Drawn: 张育斌 2016.04.13

Checked: 林旭芝

Approved: 刘祚杰

DWG NO. CNJST/GCCP-0256