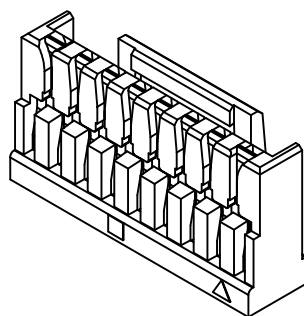
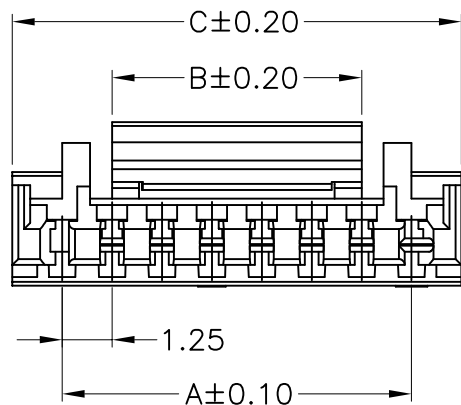


RoHS Compliant

成品图

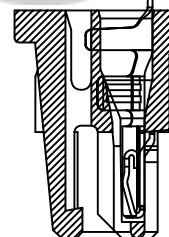
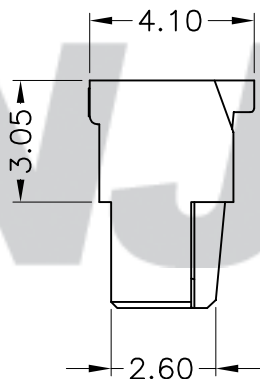
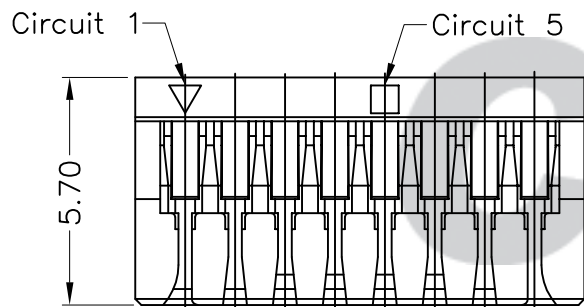


SPECIFICATION

- 1 Contact resistance: $\leq 30m\Omega$
- 2 Insulation resistance: $\geq 100M\Omega$
- 3 Rated voltage: 50 V AC DC
- 4 Rated current: 1.0 A AC DC
- 5 Withstand Voltage: 500V AC/minute
- 6 Temperature Range: $-25^{\circ}C \sim +85^{\circ}C$

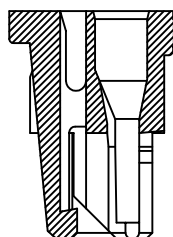
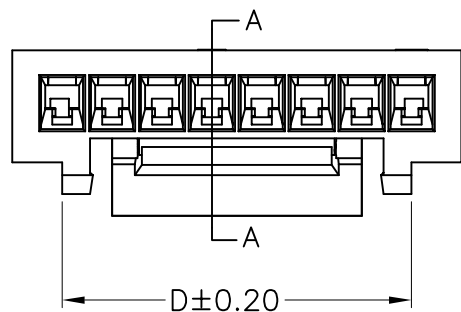
ORDER INFORMATION:

A1258Y--A6W-P**
 PART No. _____ PACKAGING: P=PE
 No. OF CIRCUITS: _____ PLASTIC MATERIAL: A6W=PA66 (WHITE)
 02~15



插线状态

Circuits	Dimensions(mm)			
	A	B	C	D
02	1.25	2.00	3.75	
03	2.50	3.20	5.00	
04	3.75	4.25	6.75	
05	5.00	4.25	7.50	
06	6.25	6.25	8.75	
07	7.50	6.25	10.00	
08	8.75	6.25	11.25	8.75
09	10.00	6.25	12.50	10.00
10	11.25	8.20	13.75	11.25
11	12.50	8.20	15.00	12.50
12	13.75	8.20	16.25	13.75
13	15.00	8.20	17.50	15.00
14	16.25	8.20	18.75	16.25
15	17.50	8.20	20.00	17.50



A-A

Tolerance X.X ±0.30 X.XX ±0.20 X.XXX ±0.10 Angle ±3.0°	Model Name: 1.25mm pitch Housing		Drawn: 张育斌 2016.06.12
	Model No: A1258Y-**-A6W-P		
UNIT: mm	SCALE: FULL REVISION: B/0		Checked: 林旭芝
	CNJST 浙江捷仕泰电子有限公司 ZHEJIANG JIESHITAI ELECTRONIC CO., LTD		Approved: 刘祚杰
			DWG NO. CNJST/GCCP-0273

REV.	DATE	DESCRIPTION	APPD.	NO.	DESCRIPTION	QTY	MATERIAL	PLATING/COLOR
B/0	2016.04.12	NEW RELEASE		①	Insulator	1	PA66 (UL94V-0)	White