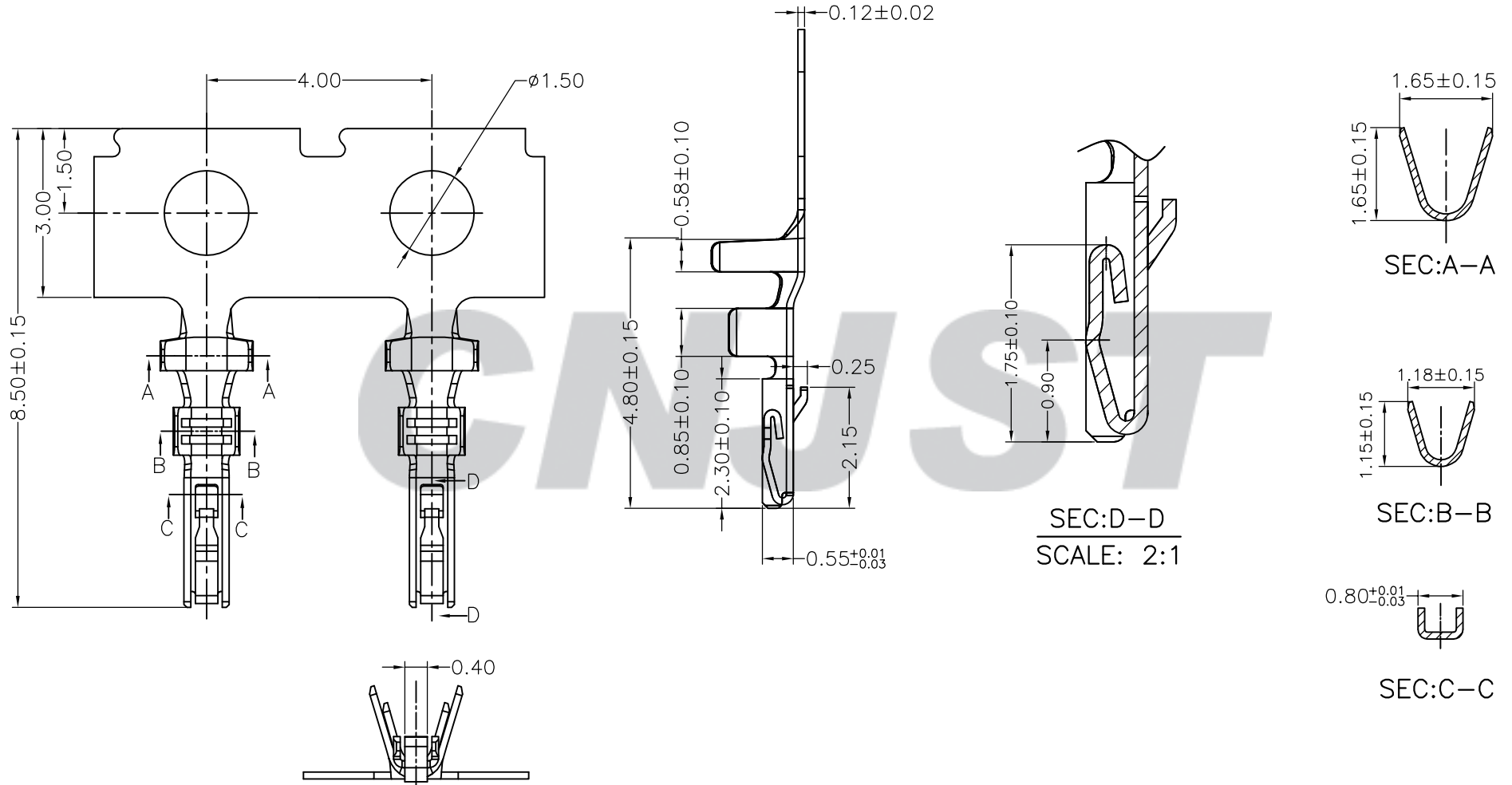


RoHS Compliant

端子图



Tolerance X.X $\pm 0.30$ X.XX $\pm 0.20$ X.XXX $\pm 0.10$ Angle $\pm 3.0^\circ$	Model Name: 1.25mm PITCH CRIMP TERMINAL		Drawn: 张育斌 2016.06.13
	Model No: A1258T-PA-Z		
	SCALE: FULL	REVISION: B/1	Checked: 林旭芝
UNIT: mm	CNJST 浙江捷仕泰电子有限公司 ZHEJIANG JIESHITAI ELECTRONIC CO., LTD		Approved: 刘祚杰
	DWG NO. CNJST/GCDZ-0066		

REV.	DATE	DESCRIPTION	APPD.	Wire Range	Insulation O.D.	QTY/Reel	Material	Tin-plated Plating
	2016.06.13	NEW RELEASE		AWG #26~#30	1.00mm(max)	12,000PCS	Phosphor Bronze	Tin-plated