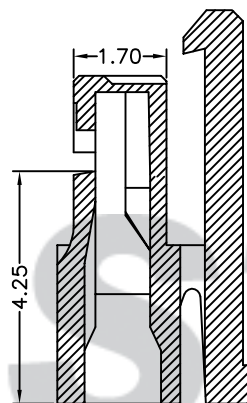
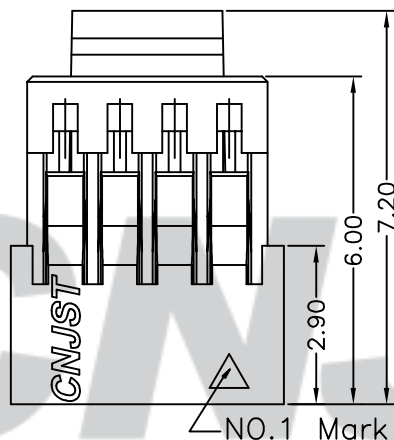
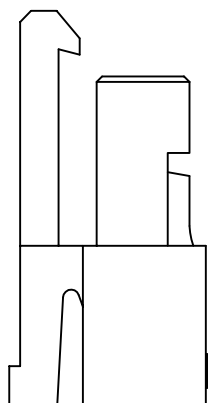
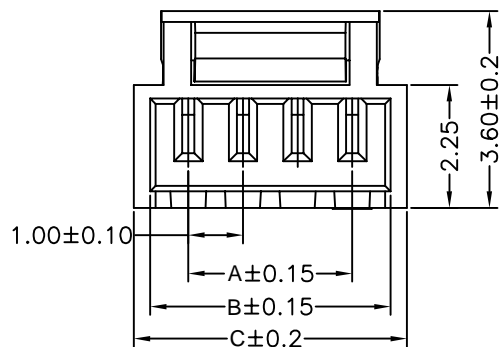
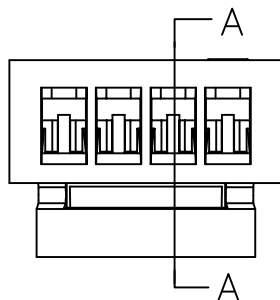


RoHS Compliant

成品图



剖面 A-A



SPECIFICATION

- 1 Contact resistance: 30mΩ Max
- 2 Insulation resistance: 100MΩ Min
- 3 Rated voltage: 50V AC DC
- 4 Rated current: 0.5 A AC DC
- 5 Withstand Voltage: 500V AC/minute
- 6 Temperature Range: -25°C ~ +85°C

ORDER INFORMATION:

A1009YR-*-A6W-P**

PART No. _____
 No. OF CIRCUITS: _____
 02~20
 PLASTIC MATERIAL: _____
 A6W=PA66 (WHITE)

PACKAGING: P=PE

Circuits	Dimensions		
	A	B	C
02	1.00	2.40	3.00
03	2.00	3.40	4.00
04	3.00	4.40	5.00
05	4.00	5.40	6.00
06	5.00	6.40	7.00
07	6.00	7.40	8.00
08	7.00	8.40	9.00
09	8.00	9.40	10.00
10	9.00	10.40	11.00
11	10.00	11.40	12.00
12	11.00	12.40	13.00
13	12.00	13.40	14.00
14	13.00	14.40	15.00
15	14.00	15.40	16.00
16	15.00	16.40	17.00
17	16.00	17.40	18.00
18	17.00	18.40	19.00
19	18.00	19.40	20.00
20	19.00	20.40	21.00

Tolerance X.X ±0.30 X.XX ±0.20 X.XXX ±0.10 Angle ±3.0°	Model Name: 1.00 Pitch Single Row Housig-With Lock	SCALE: FULL	REVISION: B/0	Drawn: 蔡忠忠 2016.04.12
	Model No: A1009YR-***-A6W-P			Checked: 林旭芝
UNIT: mm	CNJST 浙江捷仕泰电子有限公司 ZHEJIANG JIESHITAI ELECTRONIC CO., LTD		Approved: 刘祚杰	DWG NO. CNJST/GCCP-0325

REV.	DATE	DESCRIPTION	APPD.	NO.	DESCRIPTION	QTY	MATERIAL	PLATING/COLOR
B/1	2016.05.09	增加商标	林旭芝 2016.5.9					
B/0	2013.04.12	NEW RELEASE		①	Insulator	1	PA66 (UL94V-0)	Nature (White)