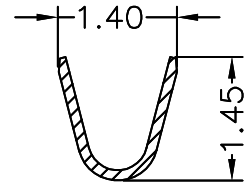
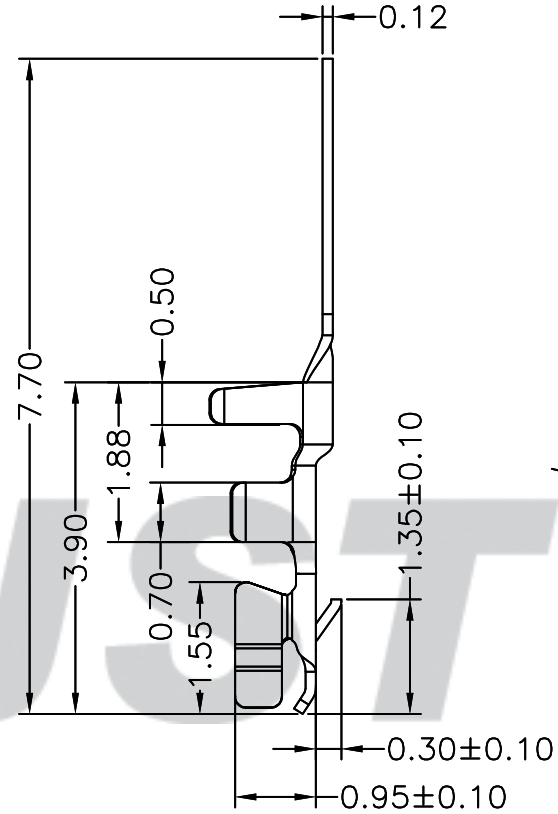
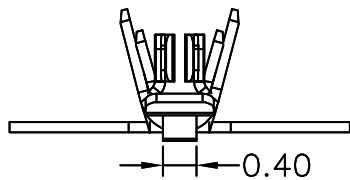
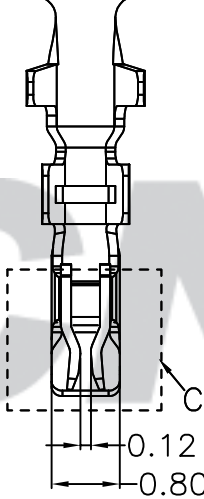
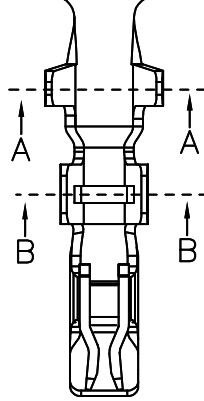
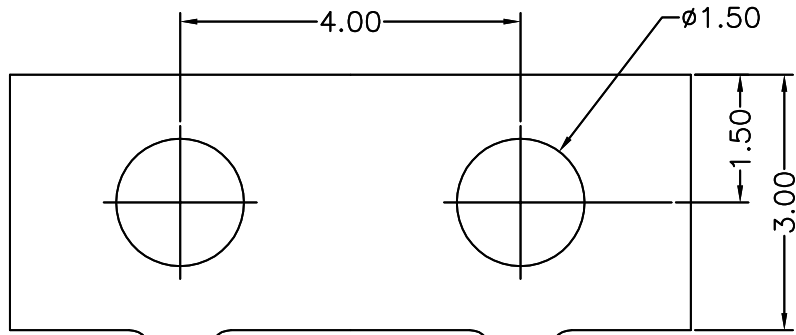
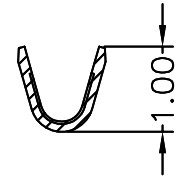


RoHS Compliant

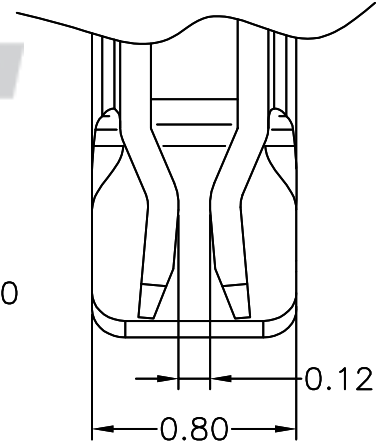
端子图



SEC:A-A

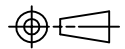


SEC:B-B



DETAIL:C
SCALE:3/1

REV.	DATE	DESCRIPTION	APPD.	Part No	Wire Range	Insulation O.D.	QTY/Reel	Material	Plating
	2016.06.13	NEW RELEASE		A1009T-PC-Z	AWG #28~#32	0.80mm(max)	15,000Pcs	Phosphor Bronze	Gold-plated
				A1009T-PA-Z	AWG #28~#32	0.80mm(max)	15,000Pcs	Phosphor Bronze	Tin-plated

Tolerance	Model Name: 1.00mm PITCH CRIMP TERMINAL	
X.X ±0.30	Model No: A1009T-P*-Z	
X.XX ±0.20	SCALE: FULL	REVISION: B/1
X.XXX ±0.10	UNIT: mm	
Angle ±3.0°		
	CNJST 浙江捷仕泰电子有限公司 ZHEJIANG JIESHITAI ELECTRONIC CO., LTD	

Drawn: 张育斌 2016.06.13

Checked: 林旭芝

Approved: 刘祚杰

DWG NO. CNJST/GCDZ-0067