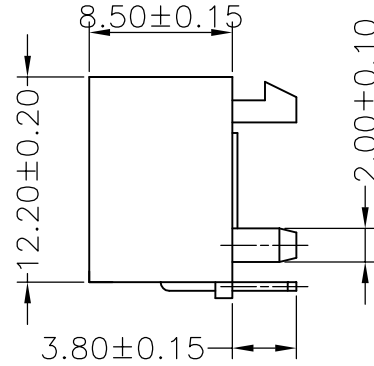
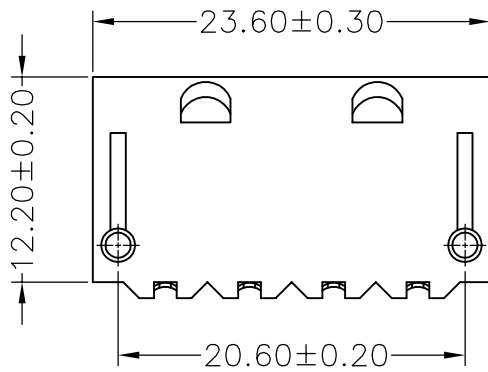


RoHS Compliant

成品图



SPECIFICATION

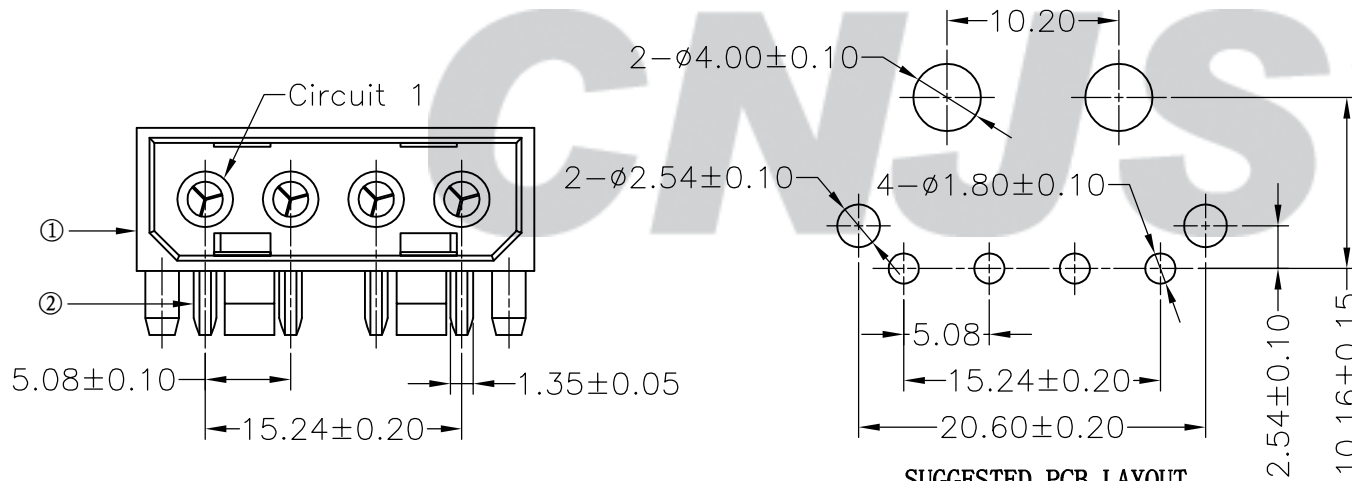
- 1 Contact resistance: $\leq 10\text{m}\Omega$
- 2 Insulation resistance: $\geq 1000\text{M}\Omega$
- 3 Rated voltage: 250 V AC DC
- 4 Rated current: 7.0 A AC DC
- 5 Withstand Voltage: 1500V AC/minute
- 6 Temperature Range: $-25^{\circ}\text{C} \sim +85^{\circ}\text{C}$

ORDER INFORMATION:

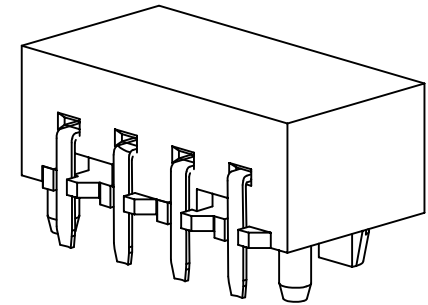
A5081AW-04-A0TA-P

PART No. _____
 No. OF CIRCUITS: _____
 04
 PLASTIC MATERIAL: _____
 A0T=PA66 (TRANSPARENT)

PACKAGING: P=PE
 PLATING: A=Tin-plated



SUGGESTED PCB LAYOUT
(COMPONENT SIDE)



B/0	2016.05.04	NEW RELEASE	
REV.	DATE	DESCRIPTION	APPD.

②	Contacts	4	Brass	Gold-plated
①	Insulator	1	PA66 (UL94V-2)	Transparent
NO.	DESCRIPTION	QTY	MATERIAL	PLATING/COLOR

Tolerance X.X ±0.30 X.XX ±0.20 X.XXX ±0.10 Angle ±3.0°	Model Name: 5.08mm PITCH 90° WAFER Model No: A5081AW-04-A0TA-P	SCALE: FULL REVISION: B/0
UNIT: mm	CNJST 浙江捷仕泰电子有限公司 ZHEJIANG JIESHITAI ELECTRONIC CO., LTD	

Drawn: 蔡忠忠 2016.05.04
Checked: 林旭芝
Approved: 刘祚杰
DWG NO. CNJST/GCCP-0037