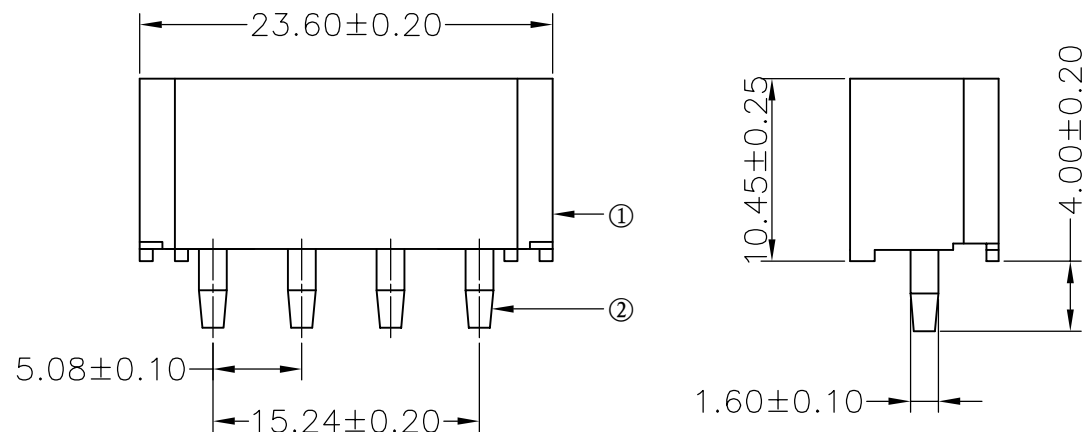


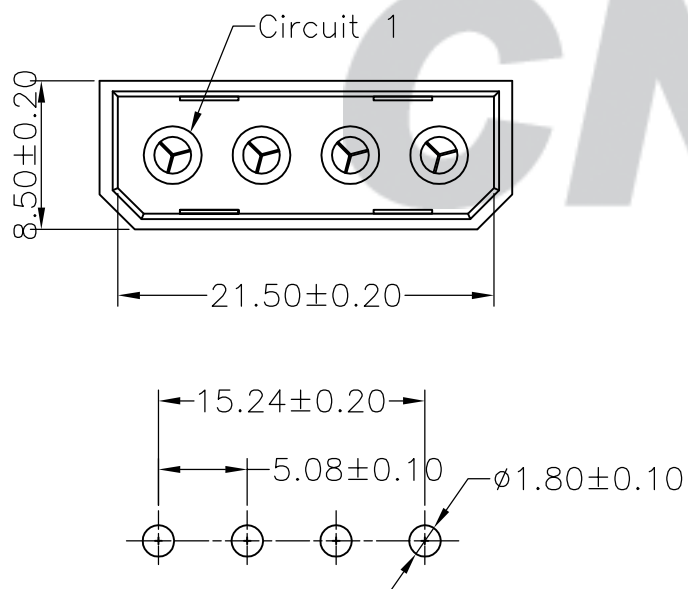
RoHS Compliant

成品图

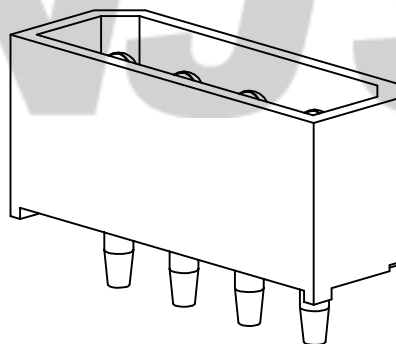


SPECIFICATION

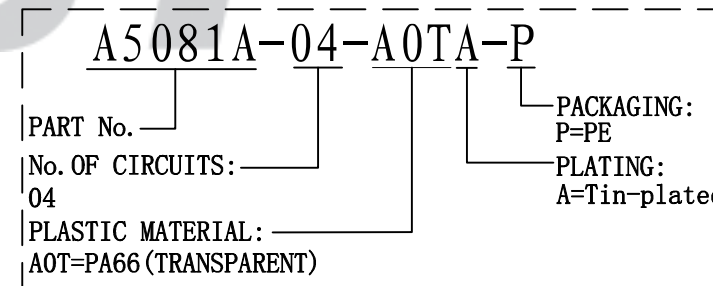
- 1 Contact resistance: $\leq 10m\Omega$
- 2 Insulation resistance: $\geq 1000M\Omega$
- 3 Rated voltage: 250 V AC DC
- 4 Rated current: 7.0 A AC DC
- 5 Withstand Voltage: 1500V AC/minute
- 6 Temperature Range: $-25^{\circ}C \sim +85^{\circ}C$



SUGGESTED PCB LAYOUT
(COMPONENT SIDE)



ORDER INFORMATION:



REV.	DATE	DESCRIPTION	APPD.	NO.	DESCRIPTION	QTY	MATERIAL	PLATING/COLOR
B/0	2016.05.04	NEW RELEASE		②	Contacts	4	Brass	Tin-plated
				①	Insulator	1	PA66 (UL94V-2)	Transparent

Tolerance X.X ±0.30 X.XX ±0.20 X.XXX ±0.10 Angle ±3.0°	Model Name: 5.08mm PITCH 180° WAFER		SCALE: FULL	REVISION: B/0
	Model No: A5081A-04-A0TA-P			
UNIT: mm	CNJST 浙江捷仕泰电子有限公司 ZHEJIANG JIESHITAI ELECTRONIC CO., LTD			

Drawn: 蔡忠忠 2016.05.04
Checked: 林旭芝
Approved: 刘祚杰
DWG NO. CNJST/GCCP-0038