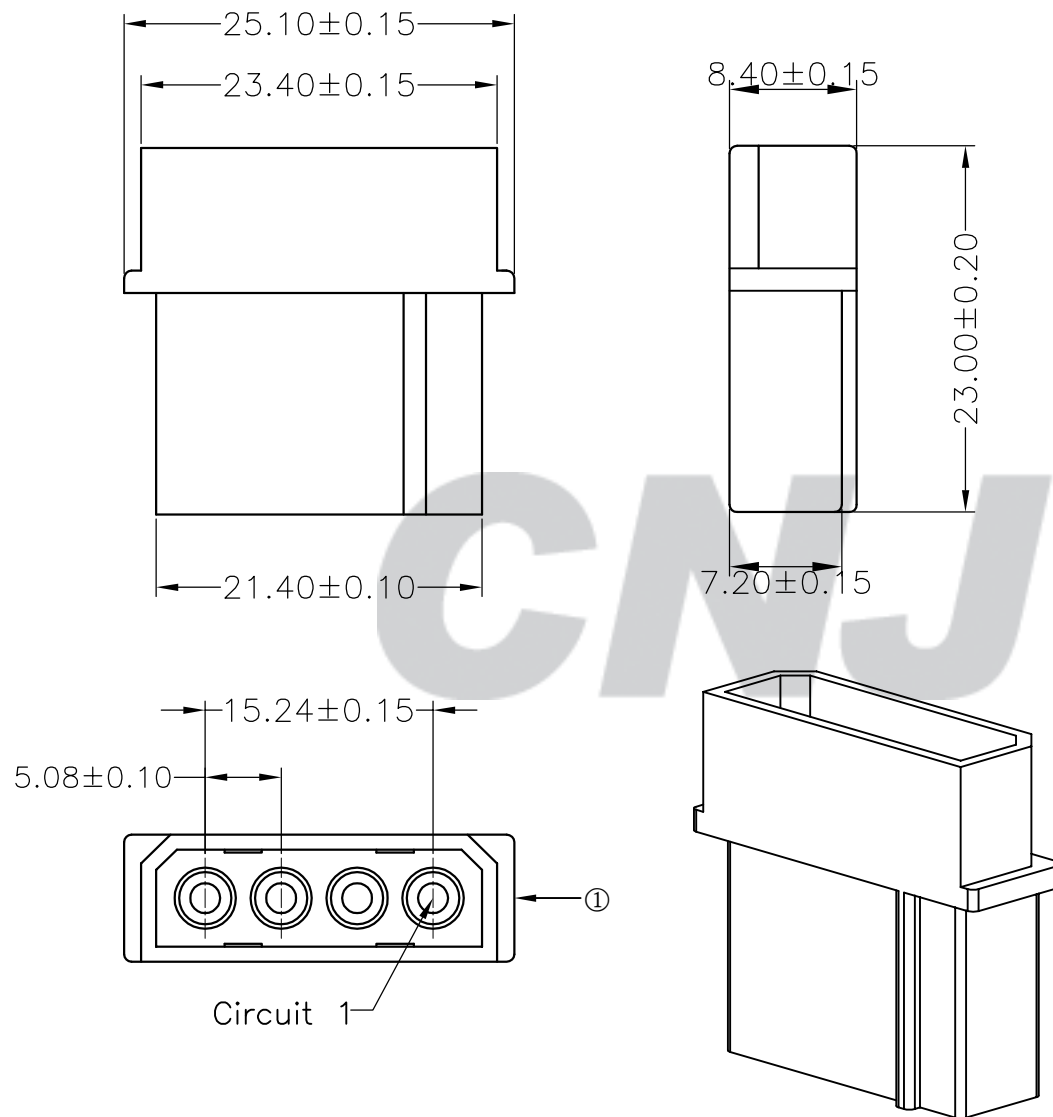


RoHS Compliant

成品图



SPECIFICATION

- 1 Contact resistance: $\leq 10m\Omega$
- 2 Insulation resistance: $\geq 1000M\Omega$
- 3 Rated voltage: 250 V AC DC
- 4 Rated current: 7 A AC DC
- 5 Withstand Voltage: 1500V AC/minute
- 6 Temperature Range: $-25^{\circ}C \sim +85^{\circ}C$

ORDER INFORMATION:

C5081P-04-A0T-P

PART No. | PACKAGING: P=PE
 No. OF CIRCUITS: | PLASTIC MATERIAL: A0T=PA66 (TRANSPARENT)
 04

| REV. | DATE | DESCRIPTION | APPD. | NO. | DESCRIPTION | QTY | MATERIAL | PLATING/COLOR |
|------|------------|-------------|-------|-----|-------------|-----|----------------|---------------|
| B/0 | 2016.05.12 | NEW RELEASE | | ① | Insulator | 1 | PA66 (UL94V-2) | Transparent |

| | | |
|--|--|-------------------------|
| Tolerance X.X ±0.30 X.XX ±0.20 X.XXX ±0.10 Angle ±3.0° | Model Name: 5.08mm PITCH HOUSING-PLUG Model No: C5081P-04-A0T-P | Drawn: 蔡忠忠 2016.05.12 |
| UNIT: mm | SCALE: FULL REVISION: B/0 | Checked: 林旭芝 |
| | CNJST 浙江捷仕泰电子有限公司 ZHEJIANG JIESHITAI ELECTRONIC CO., LTD | Approved: 刘祚杰 |
| | | DWG NO. CNJST/GCCP-0134 |