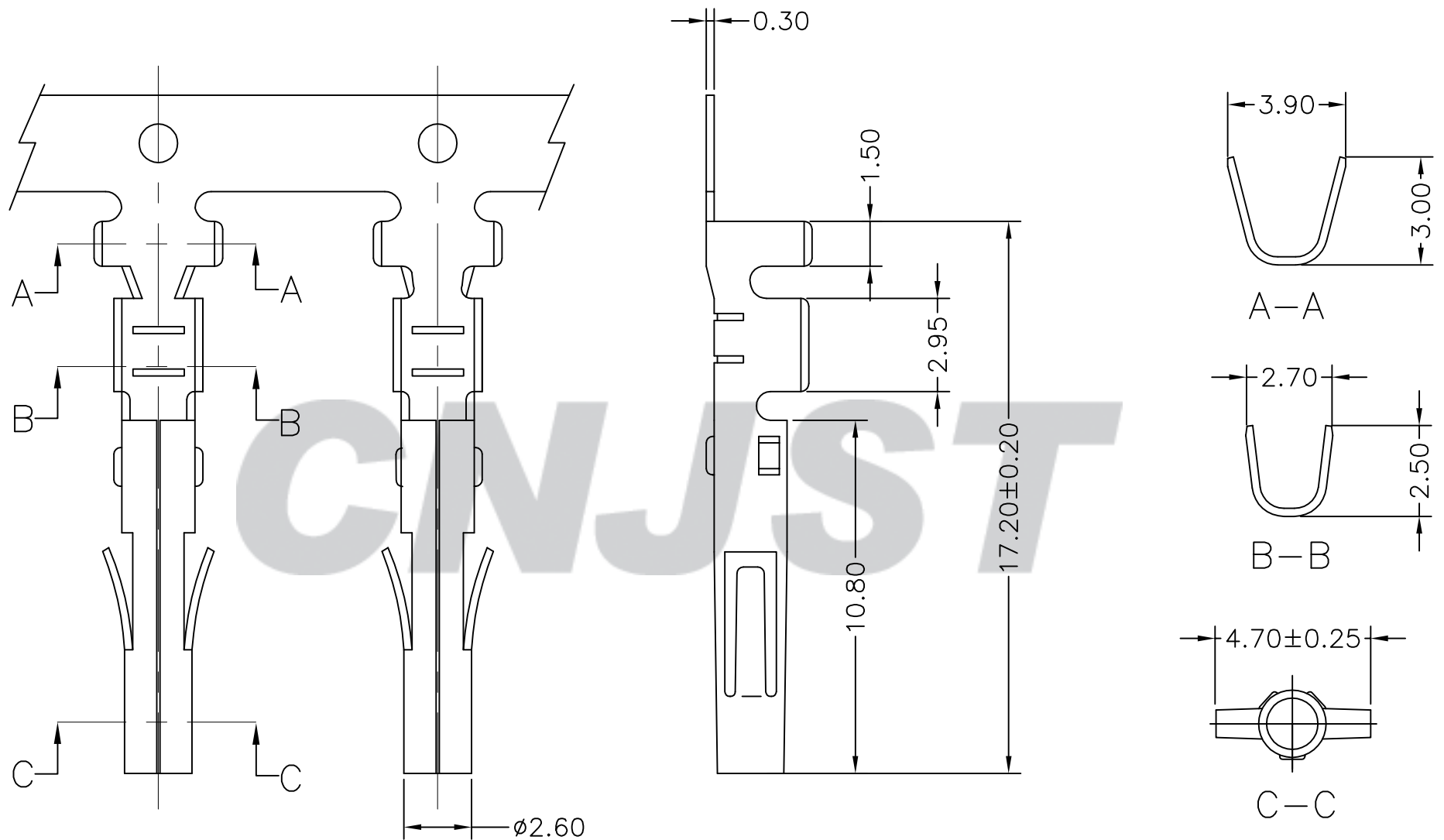
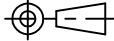


RoHS Compliant

端子图



REV.	DATE	DESCRIPTION	APPD.	Part No	Wire Range	Insulation O.D.	QTY/Reel	Material	Plating
				C5081RT-BA-Z	AWG #18~#22	2.30mm(max)	8,000Pcs	Brass	Tin-plated
				C5081RT-PA-Z	AWG #18~#22	2.30mm(max)	8,000Pcs	Phosphor Bronze	Tin-plated

Tolerance X.X ±0.30 X.XX ±0.20 X.XXX ±0.10 Angle ±3.0°	Model Name: 5.08mm PITCH CRIMP TERMINAL-FEMALE Model No: C5081RT-*A-Z	Drawn: 张育斌2016.06.13
	SCALE: FULL REVISION: B/1	Checked: 林旭芝
UNIT: mm	CNJST 浙江捷仕泰电子有限公司 ZHEJIANG JIESHITAI ELECTRONIC CO., LTD	Approved: 刘祚杰
		DWG NO. CNJST/GCDZ-0055