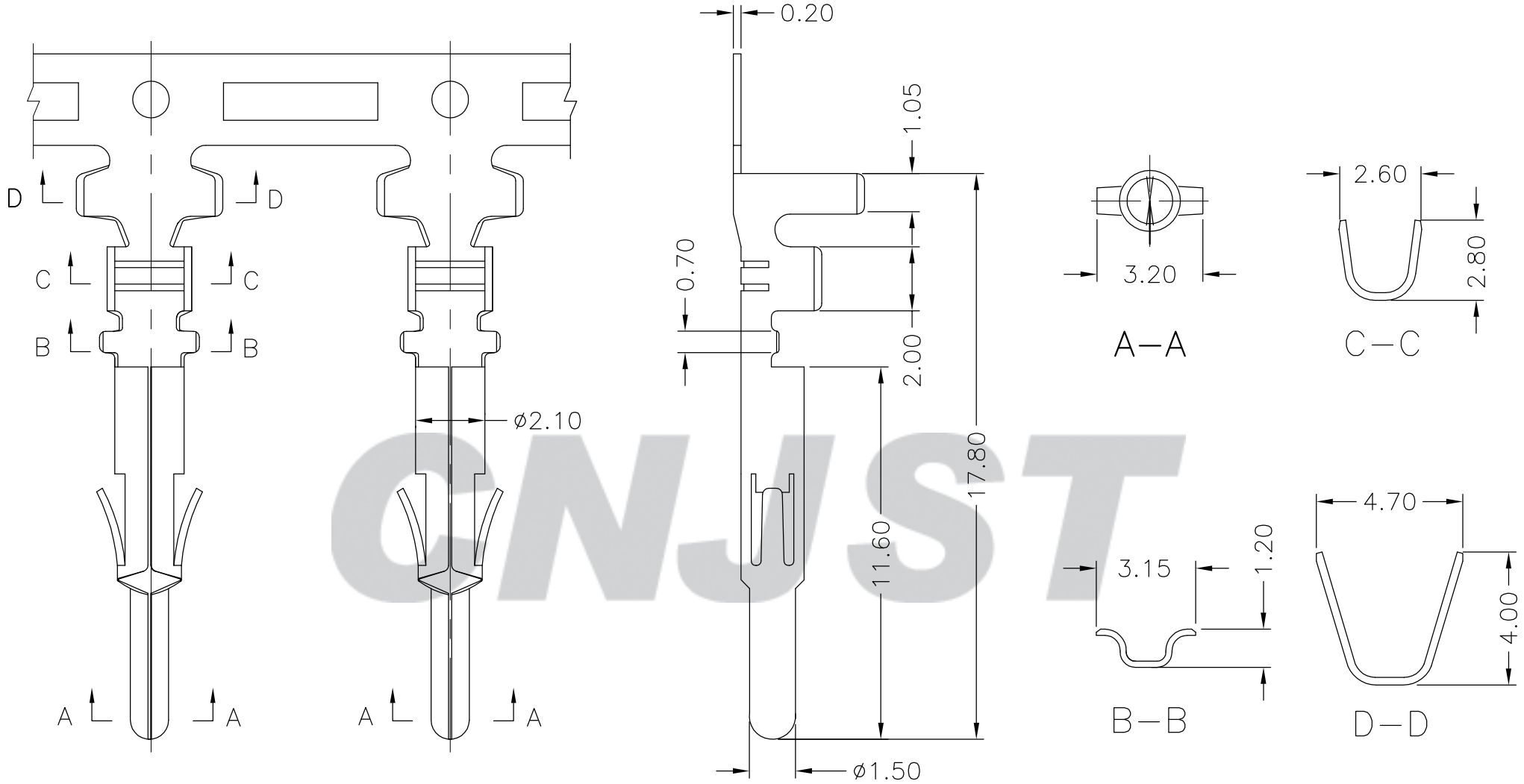


RoHS Compliant

端子图



Tolerance X.X ± 0.30 X.XX ± 0.20 X.XXX ± 0.10 Angle $\pm 3.0^\circ$	Model Name: 4.50mm PITCH CRIMP TERMINAL-FEMALE	Drawn: 张育斌 2016.06.13
	Model No: C4501PT-PA-Z	
UNIT: mm	SCALE: FULL	REVISION: B/1
CNJST 浙江捷仕泰电子有限公司 ZHEJIANG JIESHITAI ELECTRONIC CO., LTD		Approved: 刘祚杰
		DWG NO. CNJST/GCDZ-0051

REV.	DATE	DESCRIPTION	APPD.	Wire Range	Insulation O.D.	QTY/Reel	Material	Plating
	2016.06.13	NEW RELEASE		AWG #20~#26	3.40mm(max)	7,000Pcs	Phosphor Bronze	Tin-plated