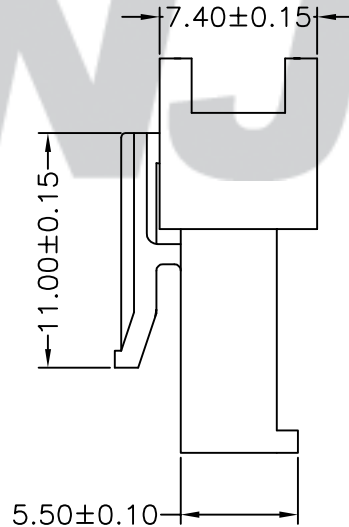
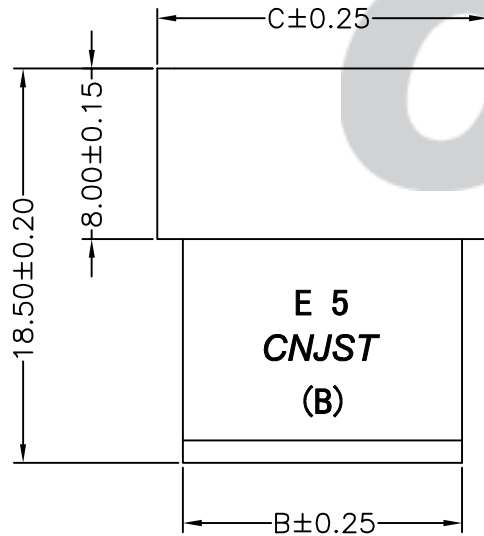
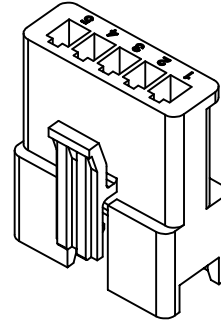
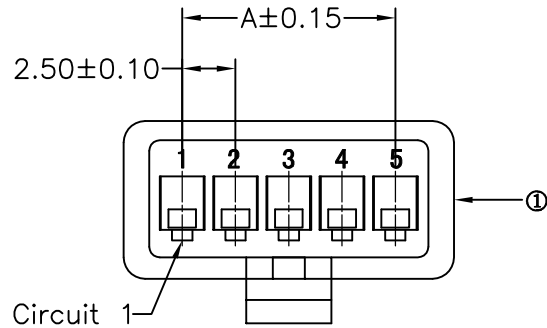


RoHS Compliant

成品图



SPECIFICATION

- 1 Contact resistance: $\leq 10m\Omega$
- 2 Insulation resistance: $\geq 500M\Omega$
- 3 Rated voltage: 250 V AC DC
- 4 Rated current: 3.0 A AC DC
- 5 Withstand Voltage: 1500V AC/minute
- 6 Temperature Range: $-25^{\circ}C \sim +85^{\circ}C$

ORDER INFORMATION:

C2501P--A8K-P**

PART No.	PACKAGING:
No. OF CIRCUITS:	P=PE
02~12	PLASTIC MATERIAL:
	A6W=PA66 (WHITE)
	A8K=PA66 (BLACK)

Circuits	Dimensions (mm)			Circuits	Dimensions (mm)		
	A	B	C		A	B	C
02	2.50	5.60	8.00	08	17.50	20.60	23.00
03	5.00	8.10	10.50	09	20.00	23.10	25.50
04	7.50	10.60	13.00	10	22.50	25.60	28.00
05	10.00	13.10	15.50	11	25.00	28.10	30.50
06	12.50	15.60	18.00	12	27.50	30.60	33.00
07	15.00	18.10	20.50				

Tolerance X.X ±0.30 X.XX ±0.20 X.XXX ±0.10 Angle ±3.0°	Model Name: 2.50mm PITCH HOUSING-PLUG		Drawn: 蔡忠忠 2016.05.12
	Model No: C2501P-**-A8K-P		
 SCALE: FULL  REVISION: B/0	Checked: 林旭芝		
	Approved: 刘祚杰		
UNIT: mm	CNJST 浙江捷仕泰电子有限公司 ZHEJIANG JIESHITAI ELECTRONIC CO., LTD		DWG NO. CNJST/GCCP-0132

REV.	DATE	DESCRIPTION	APPD.	NO.	DESCRIPTION	QTY	MATERIAL	PLATING/COLOR
B/0	2016.05.12	NEW RELEASE		①	Insulator	1	PA66 (UL94V-0)	Black