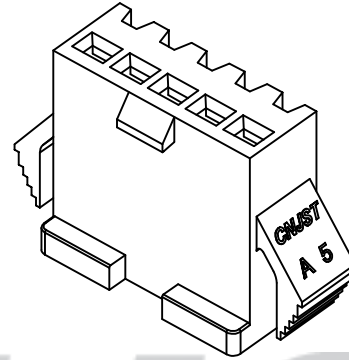
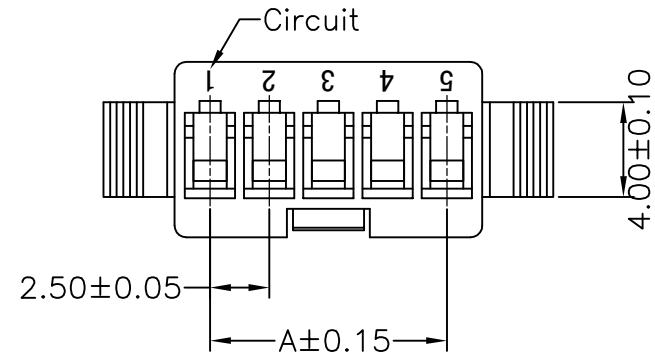


RoHS Compliant

成品图



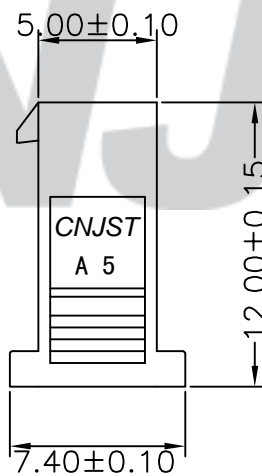
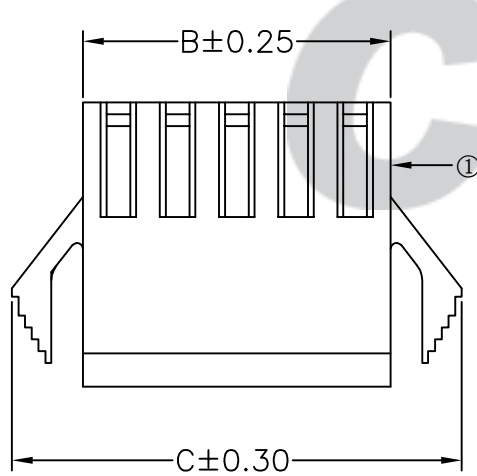
SPECIFICATION

- 1 Contact resistance: $\leq 10m\Omega$
- 2 Insulation resistance: $\geq 500M\Omega$
- 3 Rated voltage: 250 V AC DC
- 4 Rated current: 3.0 A AC DC
- 5 Withstand Voltage: 1500V AC/minute
- 6 Temperature Range: $-25^{\circ}C \sim +85^{\circ}C$

ORDER INFORMATION:

C2501R--A8K-P**

PART No.		PACKAGING: P=PE
No. OF CIRCUITS: 02~12		PLASTIC MATERIAL: A6W=PA66 (WHITE) A8K=PA66 (BLACK)



Circuits	Dimensions (mm)			Circuits	Dimensions (mm)		
	A	B	C		A	B	C
02	2.50	5.50	11.50	08	17.50	20.50	26.50
03	5.00	8.00	14.00	09	20.00	23.00	29.00
04	7.50	10.50	16.50	10	22.50	25.50	31.50
05	10.00	13.00	19.00	11	25.00	28.10	34.00
06	12.50	15.50	21.50	12	27.50	30.60	36.50
07	15.00	18.00	24.00				

REV.	DATE	DESCRIPTION	APPD.	NO.	DESCRIPTION	QTY	MATERIAL	PLATING/COLOR
B/0	2016.05.12	NEW RELEASE		①	Insulator	1	PA66 (UL94V-0)	Black

Tolerance X.X ±0.30 X.XX ±0.20 X.XXX ±0.10 Angle ±3.0°	Model Name: 2.50mm PITCH HOUSING-RECEPTACLE Model No: C2501R-**-A8K-P	Drawn: 蔡忠忠 2016.05.12
	SCALE: FULL REVISION: B/0	Checked: 林旭芝
UNIT: mm	CNJST 浙江捷仕泰电子有限公司 ZHEJIANG JIESHITAI ELECTRONIC CO., LTD	Approved: 刘祚杰
		DWG NO. CNJST/GCCP-0133