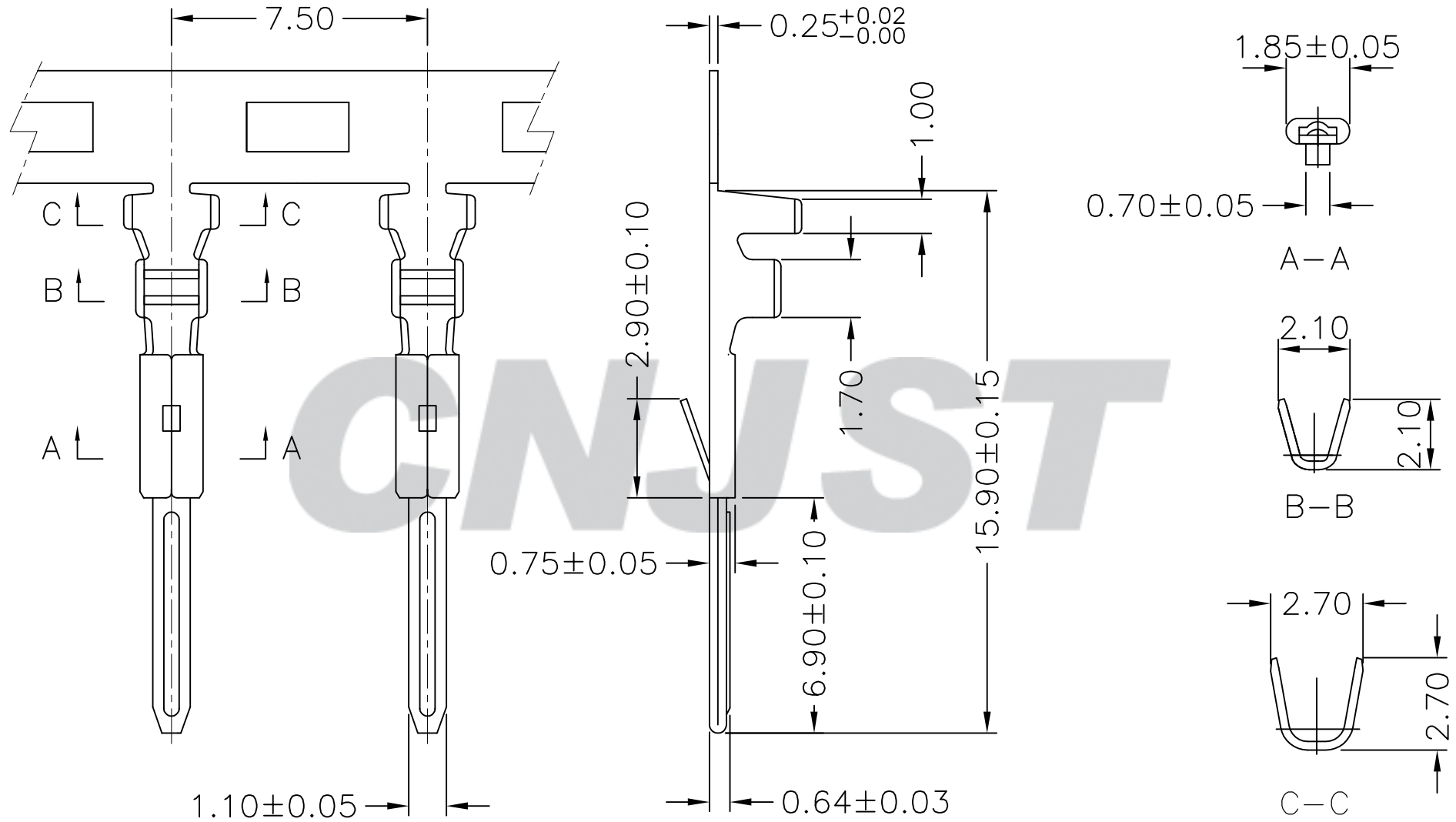
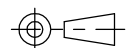


RoHS Compliant

端子图



Tolerance X.X ±0.30 X.XX ±0.20 X.XXX ±0.10 Angle ±3.0°	Model Name: 2.50mm PITCH CRIMP TERMINAL-MALE		Drawn: 张育斌 2016.06.13
	Model No: C2501PT-PA-Z		
UNIT: mm	SCALE: FULL		REVISION: B/1
			Checked: 林旭芝
<b>CNJST</b> 浙江捷仕泰电子有限公司 ZHEJIANG JIESHITAI ELECTRONIC CO., LTD			Approved: 刘祚杰
			DWG NO. CNJST/GCDZ-0018

REV.	DATE	DESCRIPTION	APPD.	Wire Range	Insulation O.D.	QTY/Reel	Material	Plating
1	2013.01.01	NEW RELEASE		AWG #22~#28	1.70mm(max)	8,000Pcs	Phosphor Bronze	Tin-plated