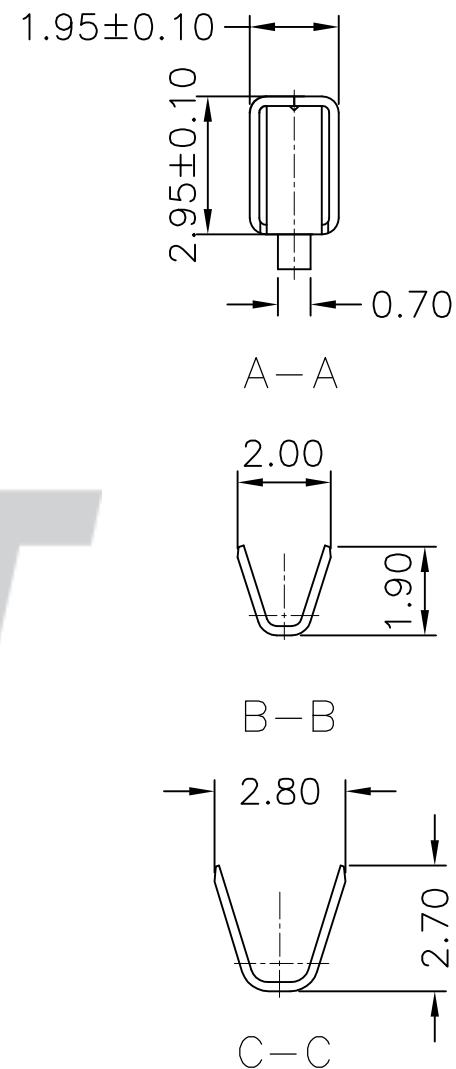
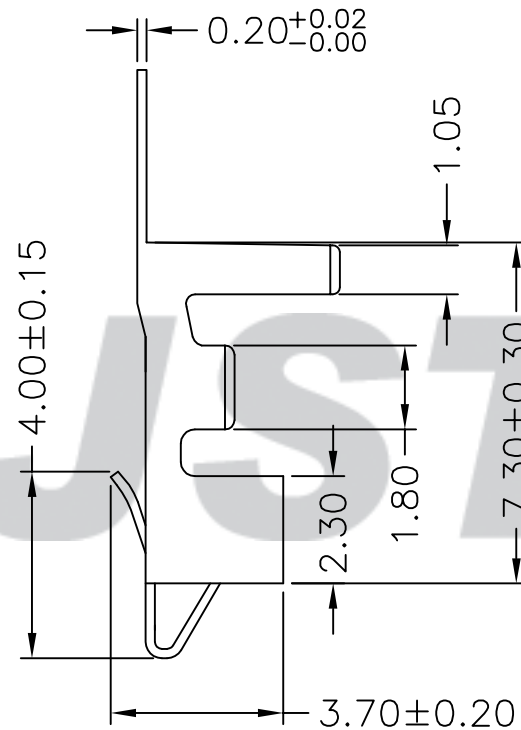
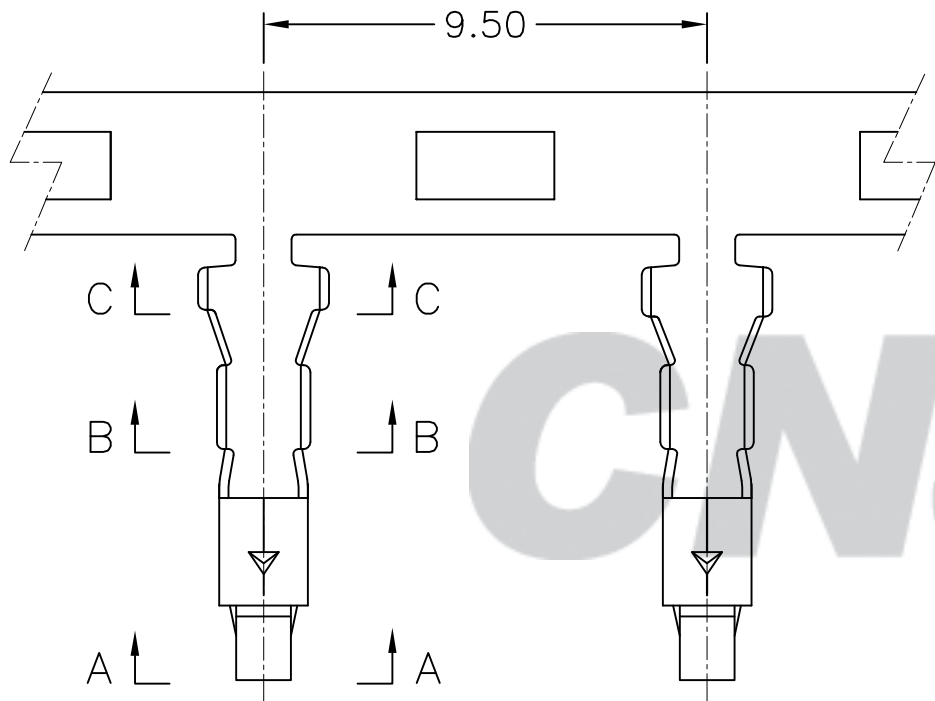


RoHS Compliant

端子图



Tolerance	Model Name: 2.50mm PITCH CRIMP TERMINAL-FEMALE	Drawn: 张育斌2016.06.13
X.X ±0.30	Model No: C2501RT-PA-Z	
X.XX ±0.20	SCALE: FULL REVISION: B/1	Checked: 林旭芝
X.XXX ±0.10		Approved: 刘祚杰
Angle ±3.0°		DWG NO. CNJST/GCDZ-0017
UNIT: mm		

REV.	DATE	DESCRIPTION	APPD.	Wire Range	Insulation O.D.	QTY/Reel	Material	Plating
	2013.01.01	NEW RELEASE		AWG #22~#28	1.70mm(max)	5,000Pcs	Phosphor Bronze	Tin-plated